



## Drinking Systems for Layers



Global Presence - Local Commitment



Feeding



Drinking

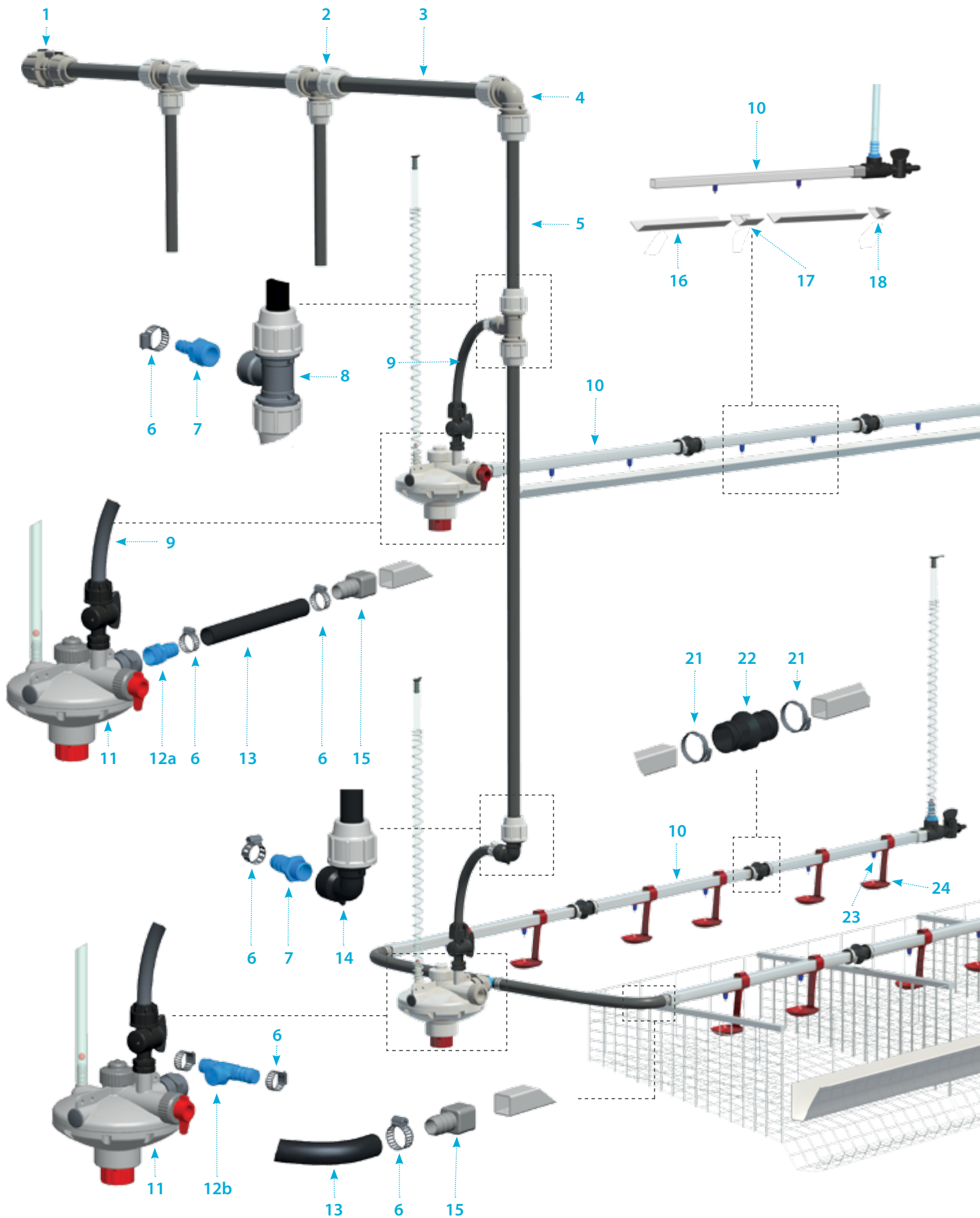


Climate



Housing

# Line Nipple Systems





## Index

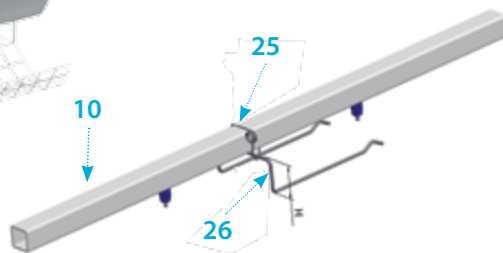
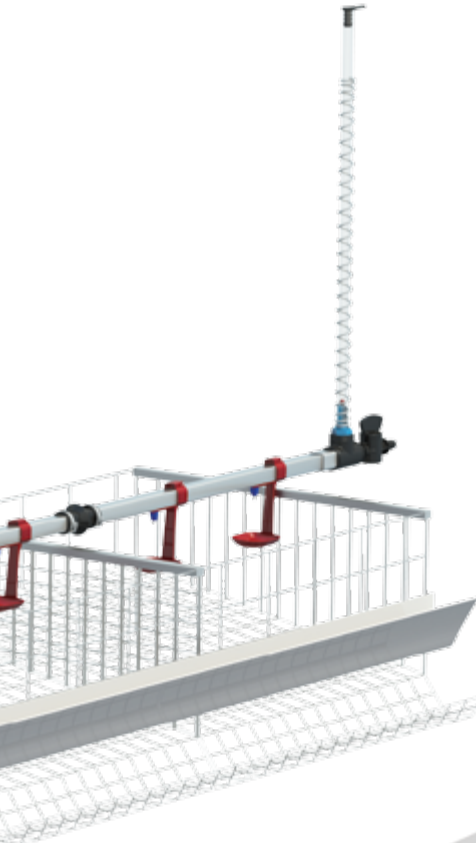
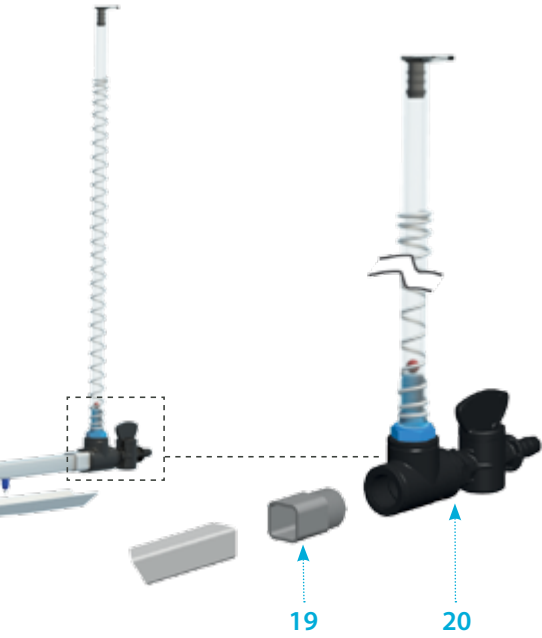
No.	Cat No.	Item
1	0711060400320a	Reducer Coupler 40-32
2	0734060320250a	Reducing Tee 32-25-32
3	32065025	PE Pipe 25 mm (m)
4	79300032025	Reducing Elbow 32-25
5	32065032	PE Pipe 32 mm (m)
6	02209083	Pipe Clamp 14-27
7	02209133	Male Adaptor straight hose conn. 12mm-3/4"
8	0714060250070A	Tee with Threaded Female Offtake 25-3/4"-25
9	02209085	Flex. Tube 1/2" (m)
10	02204XXX	Square Pipe 22mm
11	02205744	Line Head 3/4" (60) for Cages
12a	02209136	Male Adaptor straight hose conn. 19mm-3/4"
12b	02209135	Male Adaptor Tee hose conn. 19mm-3/4"
13	02209077	Flex. Tube 3/4" (m)
14	0715060250070A	90° Elbow Female Adaptor 25-3/4"
15	02205413	Square Pipe 22mm Cement Adaptor to 3/4"
16	02204149	V Trough for Cages
17	02205411	V Trough Connector for Cages
18	02205410	V Trough End Cap for Cages
19	02205649	Square Pipe 22mm cement x 3/4" Male Threaded Adaptor
20	02205743	Line End 3/4" (60) for Cages
21	02205645	Metal Crimp for Square Pipe Connector
22	02205652	Square Pipe Connector
23	02205XXX*	Threaded Nipple*
24	02205260	Tray for Square Pipe 22 mm
25	02205663	Clamp for Square Pipe 22mm
26	02205015 /18/19	Cage Pipe support h=35/59/76mm

\* 02205362 Threaded Dark Grey Nipple

\* 02205051 Threaded Brown Nipple

\* 02205360 Threaded Dark Blue Nipple

\* 02205354 Threaded Violet Nipple



## Layer Nipple Systems

Plasson's unique double sealing nipple allows quality sealing without affecting the waterflow. Pressure regulators ensures uniform pressure and consequently a steady flow along the lines, enabling flushing of the line with a simple rotation of the flushing valve. Each nipple is assembled and individually tested at the factory by an advanced computerized system ensuring greater reliability and best results.

Perfect nipple connection to the pipe - tapered threading, no Teflon needed

Only two moving parts ensure high reliability and durability



### Nipple Activation

Nipples are activated with vertical action only or semi-side and vertical action facilitating a constant supply of water. The increased availability of water promotes high performance levels even on the hottest days while keeping the litter dry.

#### Threaded Dark Grey Nipple

02205362

High flow rate



Vertical action

#### Threaded Brown Nipple

02205051

Medium flow rate



Vertical action

#### Threaded Dark Blue Nipple

02205360

Medium flow rate



Semi-Side action

#### Threaded Violet Nipple

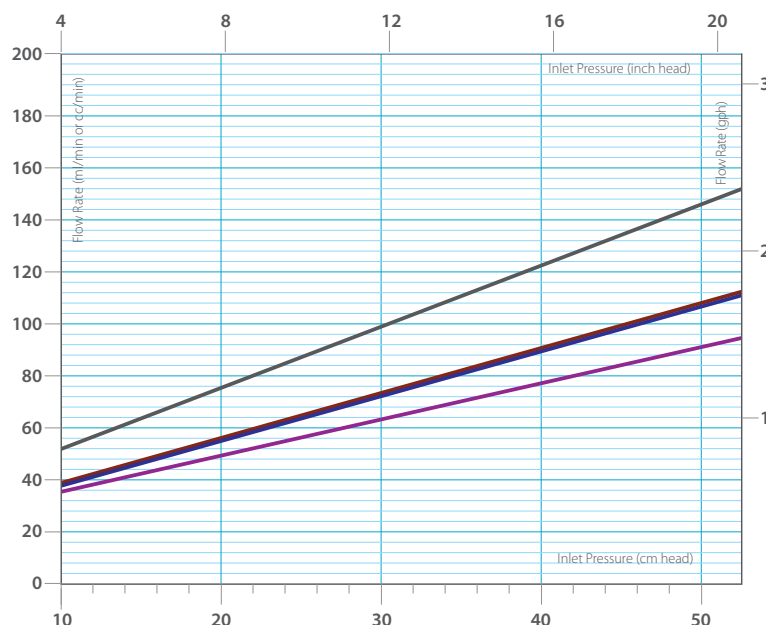
02205354

Low flow rate



Semi-Side action

### Nipple Flow Rate



Feeding



Drinking



Climate



Housing

Maagan Michael, D.N. Menashe, 3780500, Israel

Tel: +972-73-2413001, Fax: +972-73-2333711

info@plassonlivestock.com | www.plassonlivestock.com