

## System for Ducks

There are 2 options of water system for ducks:

### Nipple system

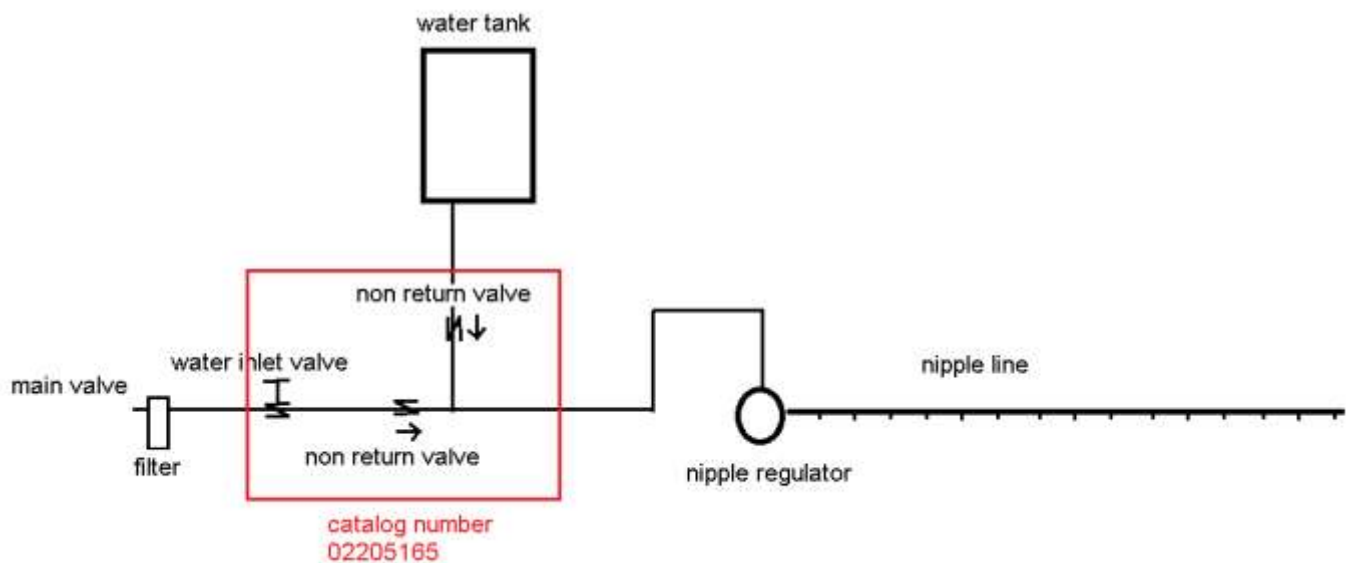
For ducks we use gray nipple without tray as the ducks need ample amount of water. Sometimes we add supplementary tools for the first few days



For breeders ducks we use every nipple for 6 ducks, and for broiler ducks we use nipple for every 8 ducks.

The nipple system for ducks is similar to the nipple system we use in poultry.

I suggest also using "water tank bypass (2 bar) catalog number 02205165 (see draw below). Filter 120 micron must to be installed, catalog number 02209079 (it is recommended to fill the water tank also via the filter).



Feeding



Drinking



Climate



Housing

Maagan Michael, D.N. Menashe, 3780500, Israel

Tel: +972-73-2413001, Fax: +972-73-2333711

info@plassonlivestock.com | www.plassonlivestock.com

### Bell drinkers

The bell drinkers we are using for ducks are "Turkey Drinker Complete" catalog number 02104350.

Every bell is suitable for 60 ducks.



### Feeder pan

Feeder pan for ducks we use "multibeck turkey feeder short neck set" catalog number 02310030.

We use every pan for 70 ducks.

The pans are assembled on a standard feeder pipe with regular hopper.

We also have special control pan for this system, "control unit D45 (shaft 19) w/gear for turkeys/ducks" catalog number 02311190



We have a special system for ducks drinking when it is 'free range' meaning that the ducks go out of the house. If relevant I can send you some pictures as well.



Feeding



Drinking



Climate



Housing

Maagan Michael, D.N. Menashe, 3780500, Israel

Tel: +972-73-2413001, Fax: +972-73-2333711

info@plassonlivestock.com | www.plassonlivestock.com