



T Cross Feed Line with Shutoff

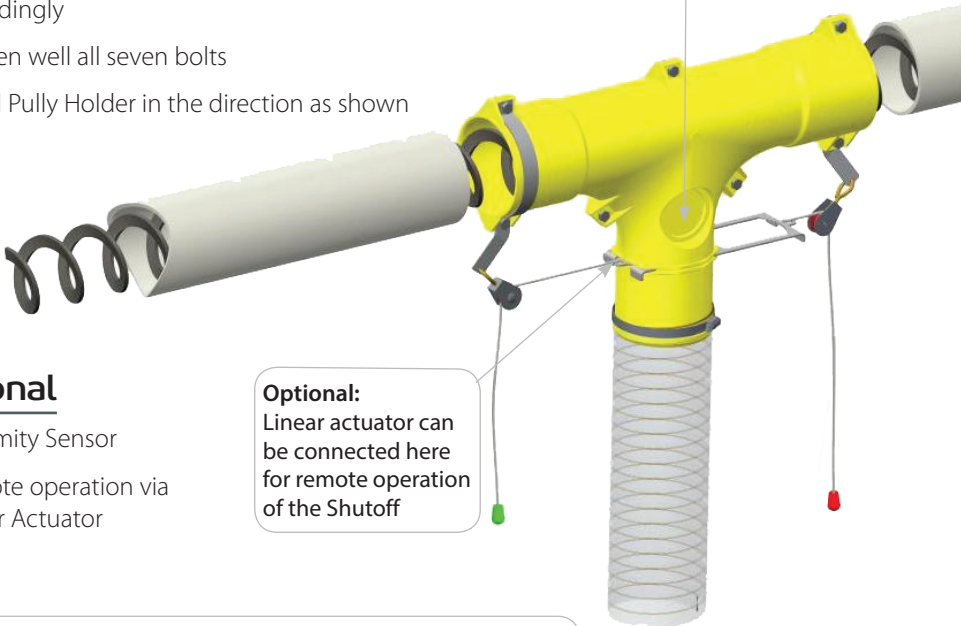
Installation Instructions

02311730

Install the T as shown

- Place the Shutoff slide in the slot prior to connecting the two T halves together
- Adjust Cords Length to a convenient height above the ground
- Install Red/Green Cord End Beads on Close/Open cords accordingly
- Tighten well all seven bolts
- Install Pully Holder in the direction as shown

Optional:
Cut a 45mm dia. hole to install Proximity Sensor with a standard PG36



Optional

- Proximity Sensor
- Remote operation via Linear Actuator

Optional:
Linear actuator can be connected here for remote operation of the Shutoff

Note:

when replacing an existing T, there is no need to pull out the Auger, Install the two T halves around the Auger



Feeding



Drinking



Climate



Housing



T Cross Feed Line

Installation Instructions

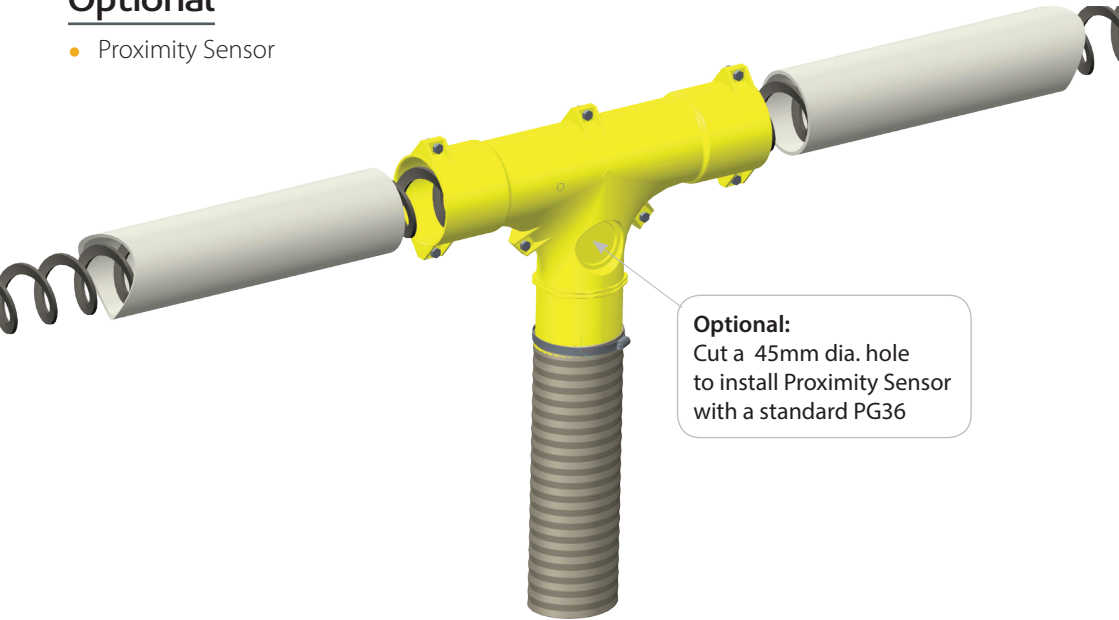
02310523

Install the T as shown

- Tighten well all seven bolts

Optional

- Proximity Sensor



Optional:
Cut a 45mm dia. hole
to install Proximity Sensor
with a standard PG36

Note:

when replacing an existing T, there is no need to pull out the Auger, Install the two T halves around the Auger



Feeding



Drinking



Climate



Housing

Maagan Michael, D.N. Menashe, 3780500, Israel

Tel: +972-73-2413001, Fax: +972-73-2333711

info@plassonlivestock.com | www.plassonlivestock.com