

Galvanised Box Fan 54" 02382810

Technical data

Voltage	U	230/400	V
Phase		3	~
Frequency		50	Hz
Speed		535	RPM
Power consumption	Pe	1650	W
Nominal current	I	5.6/3.3	A
Maximum current	I	6.0/3.5	A
Capacitor	I	-	µF
Ambient temperature	Tamb min/max	-25...40	°C
Insulation Class		CLF	
IP Class Fan		IP55	
Sound pressure level at 2 m	Lp	76	dB(A)
Weight		78.6	kg

Fan details

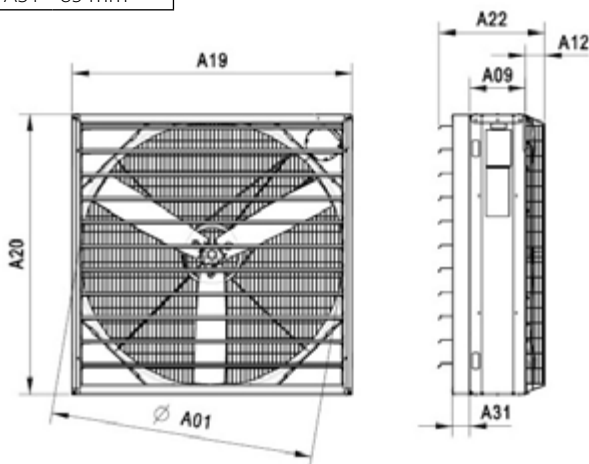
Impeller blades	3
Impeller type	12
Impeller system	B
Impeller material	PG

Control options

Triac controller	No
Transformer	No
Frequency drive	No
Intelligent Fan Drive	No

Dimensions

A01	1375 mm
A09	295 mm
A12	96 mm
A19	1480 mm
A20	1480 mm
A22	548 mm
A31	85 mm



Exhaust Fans



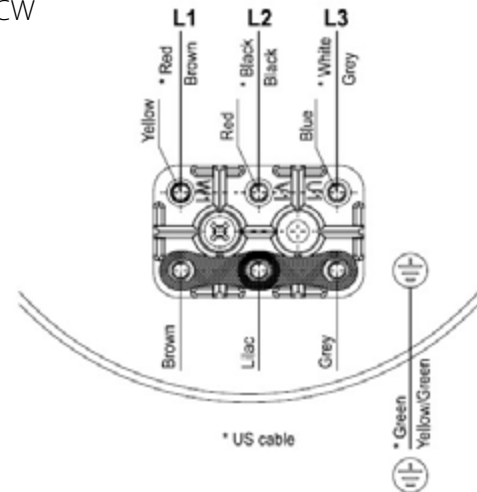
Approval(s)



No.15428

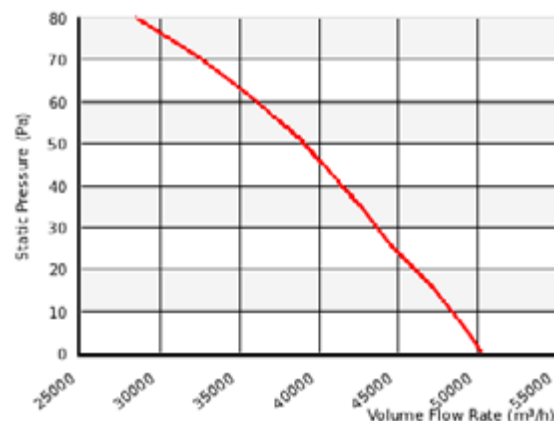
Wiring diagram - Fan

AB02 - CW



Characteristics

0 Pa 50300 m³/h
50 Pa 39000 m³/h



Feeding



Drinking



Climate



Housing

Maagan Michael, D.N. Menashe, 3780500, Israel

Tel: +972-73-2413001, Fax: +972-73-2333711

info@plassonlivestock.com | www.plassonlivestock.com