

Galvanised Cone Fan 50' 02382831

Technical data

Voltage	U	240/420	V
Phase		3	~
Frequency		60	Hz
Speed		570	RPM
Power consumption	Pe	1650	W
Nominal current	I	4.7/2.7	A
Maximum current	I	5.0/2.9	A
Capacitor	I	-	µF
Ambient temperature	Tamb min/max	-25...40	°C
Insulation Class		CLF	
IP Class Fan		IP55	
Weight		102.4	kg

Fan details

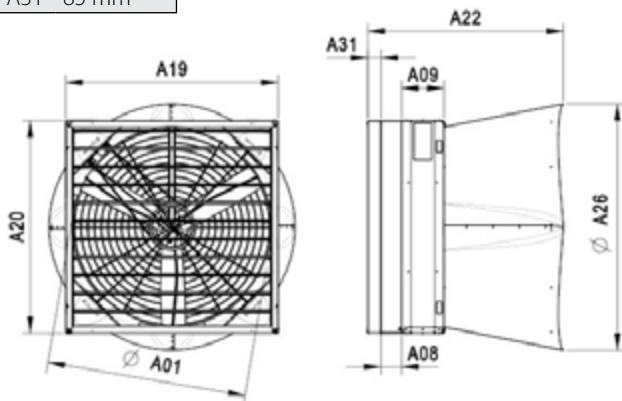
Impeller blades	3
Impeller type	10
Impeller system	N
Impeller material	PG

Control options

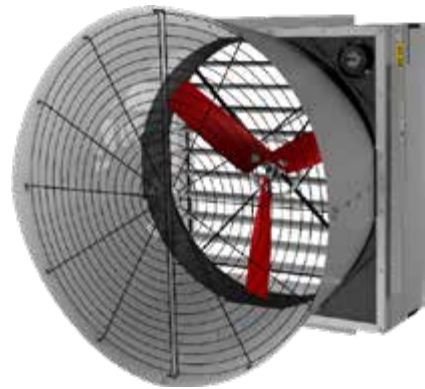
Triac controller	No
Transformer	No
Frequency drive	No
Intelligent Fan Drive	No

Dimensions

A01	1284 mm
A08	135 mm
A09	275 mm
A19	1382 mm
A20	1382 mm
A22	1275 mm
A26	1600 mm
A31	85 mm



Exhaust Fans



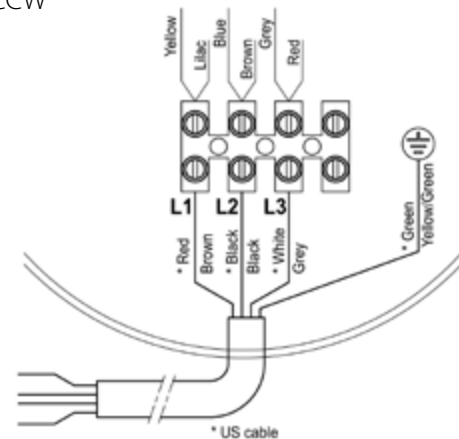
Approval(s)



No. 05088

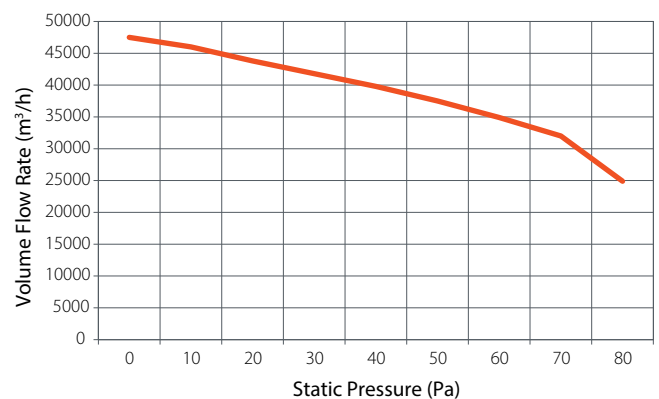
Wiring diagram - Fan

AF02 - CCW



Characteristics

0 Pa 47500 m³/h
50 Pa 37400 m³/h



Feeding



Drinking



Climate



Housing

Maagan Michael, D.N. Menashe, 3780500, Israel

Tel: +972-73-2413001, Fax: +972-73-2333711

info@plassonlivestock.com | www.plassonlivestock.com