

Galvanised Cone Fan 54' 02382835

Technical data

Voltage	U	230/400	V
Phase		3	~
Frequency		60	Hz
Speed		595	RPM
Power consumption	Pe	1500	W
Nominal current	I	4.8/2.8	A
Maximum current	I	5.5/3.2	A
Capacitor	I	-	µF
Ambient temperature	Tamb min/max	-25...40	°C
Insulation Class		CLF	
IP Class Fan		IP55	
Sound pressure level at 2 m	Lp	77	dB(A)
Weight		83.6	kg

Fan details

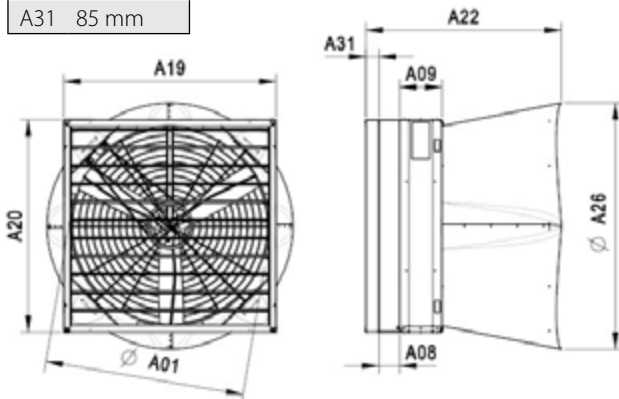
Impeller blades	3
Impeller type	12
Impeller system	B
Impeller material	PG

Control options

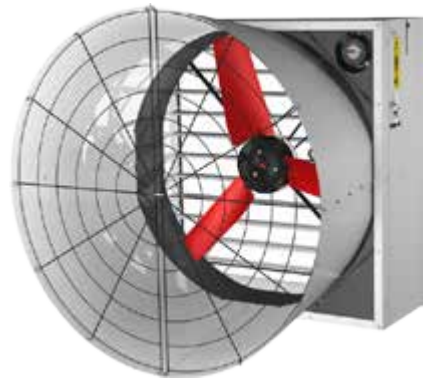
Triac controller	No
Transformer	No
Frequency drive	No
Intelligent Fan Drive	No

Dimensions

A01	1375 mm
A08	135 mm
A09	295 mm
A19	1480 mm
A20	1480 mm
A22	1356 mm
A26	1657 mm
A31	85 mm



Exhaust Fans



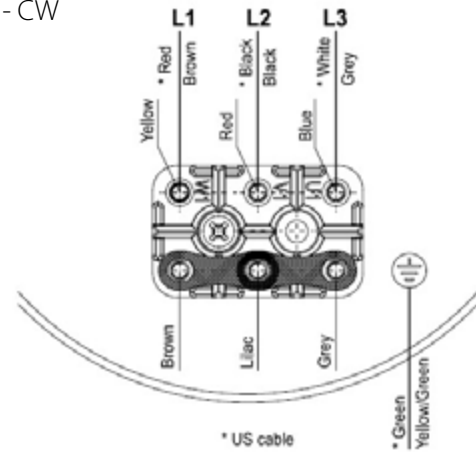
Approval(s)



No.17432

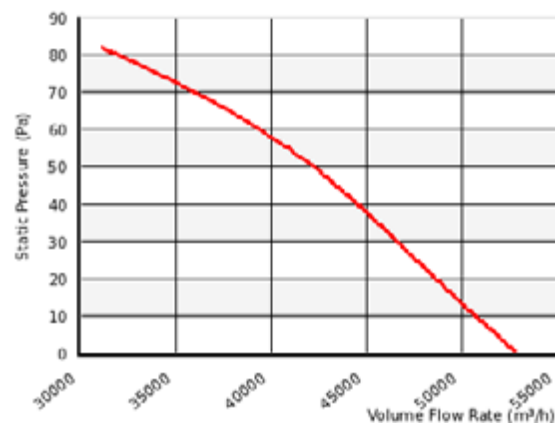
Wiring diagram - Fan

AB02 - CW



Characteristics

0 Pa 52800 m³/h
50 Pa 42300 m³/h



Feeding



Drinking



Climate



Housing

Maagan Michael, D.N. Menashe, 3780500, Israel

Tel: +972-73-2413001, Fax: +972-73-2333711

info@plassonlivestock.com | www.plassonlivestock.com