



Plasson Pressure Reducers & Pressure Regulators



- New design with advanced features
- Pressure regulator for standard systems
- Pressure reducer for Water On Demand controlled systems
- Intelligent system - Adapts automatically to the changing needs of the birds at real time
- Unique and sophisticated system of flushing and cleaning Nipple lines, manually, automatically or wireless

Global Presence - Local Commitment



Feeding



Drinking



Climate



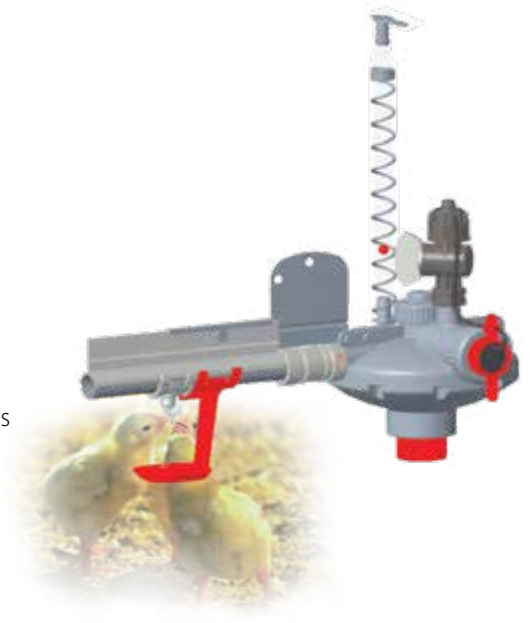
Housing

Plasson offers two types of Line Heads:

- A. **Pressure Reducers** - Change of pressure applied from service room by WOD or WOD Pro (Patented Central Pressure Control Systems).
- B. **Pressure Regulators** - With possibility to change pressure by turning the lower Red Knob.

Pressure Reducers & Regulators with Solenoid

- Fresh, cooler and cleaner water
- Optional - Wireless to service room for saving on wires and installation costs
- A 'must' for ABF and NAE growers
- Safe and integral flushing solenoid unit inside the Line Head
- Program daily flushing through the controller
- Longer life to the nipple system
- Labor saving and precise flushing
- Can be installed at line head or midline



Pressure Reducers & Regulators (without Solenoid)

- Supply the highest flow rate
- Offer a wide range of required outlet pressures, which are independent of inlet pressure
- Quick and simple installation
- Easy to operate
- Quarter turn, built in, high pressure flush
- Reliable, trouble free operation
- Can be installed at line head or midline

| | | Standard | Integral Solenoid Wired | Integral Solenoid Wireless | High Pressure |
|--------------------|---------------|----------|-------------------------|----------------------------|---------------|
| Pressure Reducer | Line Head Kit | √ | √ | √ | X |
| | Mid Line Kit | √ | √ | √ | X |
| Pressure Regulator | Line Head Kit | √ | √ | √ | √ |
| | Mid Line Kit | √ | √ | √ | √ |

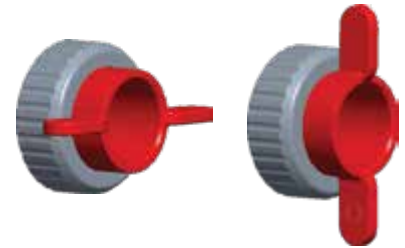


Plasson pressure regulator

- If water is supplied from main pipeline, incoming pressure to header kit should be 1.5 bar (22psi), max. 2 bar (30psi).
- If water is supplied from a header tank, the header tank should be at least 3m (10ft.) above floor level.
- Outlet pressure range 0-1 meter water (0-40" water/0-1.5 psi).
- To switch regulator to high pressure flushing: turn flushing valve to "FLUSH" position.

WARNING

Silicone lubricants may be used, avoid contact of oil based materials with regulator.
Application of any material not compatible with ABS may cause permanent damage to the product.



Reducer Retrofit kit 02205339

- Easy to convert Plasson Pressure Regulator to Pressure Reducer
- Replace 3 parts only
- Simply done with one tool

| | Cap | Washer | Diaphragm |
|----------|-----|--------|-----------|
| Existing | | | |
| New | | | |

Pressure Regulator Adaptor 02206060

- Required when connecting Pressure Reducer or Pressure Regulator to flexible pipe
- Easy to install



Wireless Unit - Inflush

- An advanced system of nipple line flushing
- Operating the system from a smartphone App
- Programming the flushing schedule for the whole cycle in advance
- Installation costs are very low - without wiring
- Fit to all Plasson Regulators and Reducers
- There is no need for additional water pipes, working with the existing water system
- Bio-security approval
- Stand alone system



Controller for Plasson Automatic Flush System 02205686

The Automatic Flush system must be connected to a Plasson controller or to an existing, Controller with a suitable flushing program. The controller is specially designed for automatic flushing systems.

Large variety of programming options:

- Programming of flushing duration
- Programming according to growth week
- Up to 4 daily preset operations
- Programming according to predetermined time intervals
- Flush/refresh according to water temperature
- Manual operation option for each separate line or consecutive lines flushing
- Built-in programs for growth and for periods between grow outs
- Can be connected to a main controller via cable or wireless



Mid Line Shut Off Valve 02205769

- Enables closing of the water for part of the poultry house when brooding or at the end of the flock.
- Enables free passage for grower across the nipple line.



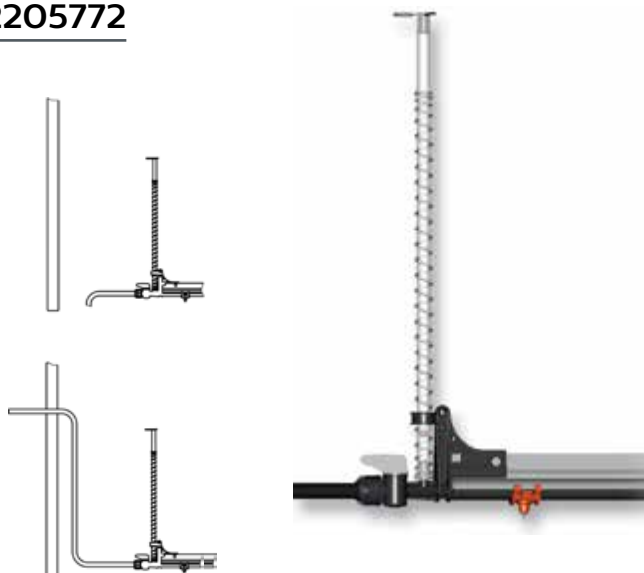
Portable Pressure Gauge (mobile) 02205799

- Portable gauge to check nipple system pressure.
- Enables testing of pressure in nipple systems at any place along the nipple line.



Line End Pressure Regulator Kit 02205772

- Flushing between flocks - the flexible tube should be in a straight line.
- Flushing during the growing period - the flexible tube should be installed one and a half meters high.





Catalogue number details

Line Head with 60cm sight tube

| Cat. No. | |
|----------|--|
| 02205491 | Pressure regulator line head (60) mk2 com |
| 02205492 | Pressure regulator mid line (60) mk2 com |
| 02205493 | Pressure reducer line head (60) mk2 com |
| 02205494 | Pressure reducer mid line (60) mk2 com |
| 02205495 | Pressure regulator line head w/auto flush (60) mk2 com |
| 02205496 | Pressure regulator mid line w/auto flush (60) mk2 com |
| 02205497 | Pressure reducer line head w/auto flush (60) mk2 com |
| 02205498 | Pressure reducer mid line w/auto flush (60) mk2 com |

Line Head with 80cm sight tube

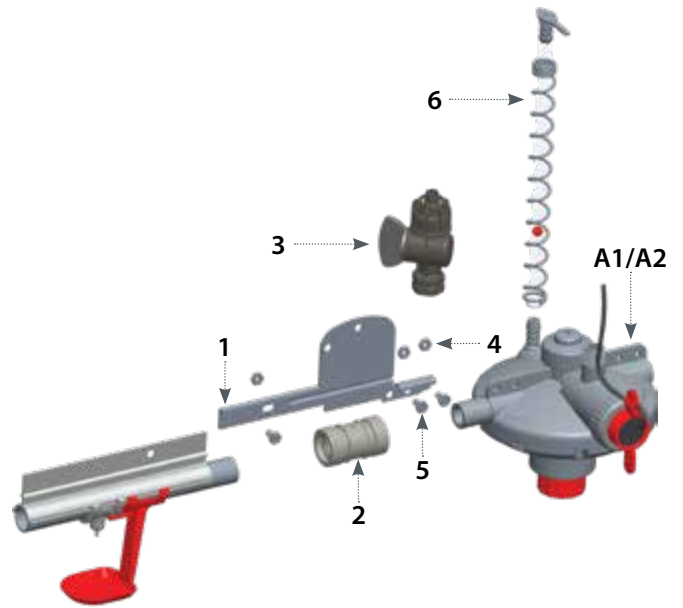
| Cat. No. | |
|----------|--|
| 02205499 | Pressure regulator line head (80) mk2 com |
| 02205939 | Pressure regulator mid line (80) mk2 com |
| 02205940 | Pressure reducer line head (80) mk2 com |
| 02205941 | Pressure reducer mid line (80) mk2 com |
| 02205942 | Pressure regulator line head w/auto flush (80) mk2 com |
| 02205943 | Pressure regulator mid line w/auto flush (80) mk2 com |
| 02205944 | Pressure reducer line head w/auto flush (80) mk2 com |
| 02205945 | Pressure reducer mid line w/auto flush (80) mk2 com |

Line Head for High Pressure

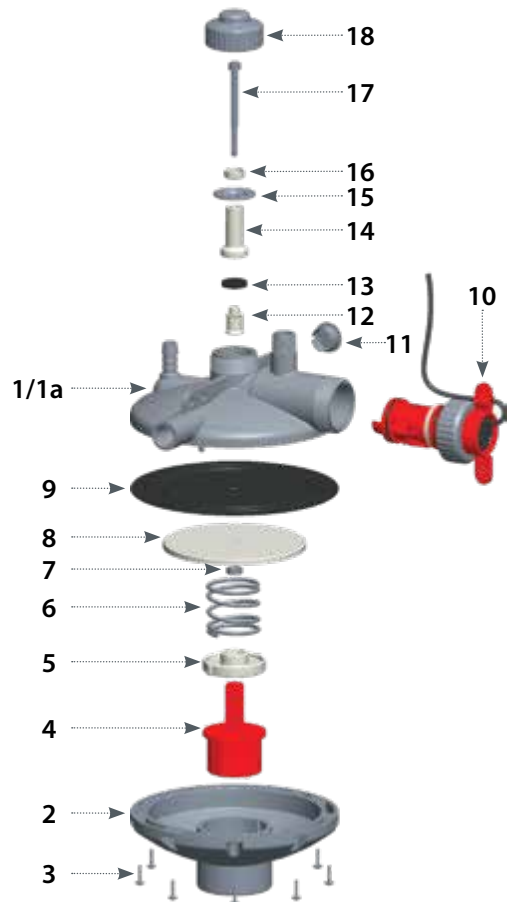
| Cat. No. | |
|----------|---|
| 02205946 | Pressure regulator line head 0-250 mk2 com |
| 02205947 | Pressure regulator mid line 0-250 mk2 com |
| 02205948 | Pressure regulator line head 0-250 W/auto flush mk2 com |
| 02205949 | Pressure regulator mid line 0-250 w/auto flush mk2 com |



| Part No. | Cat. No. | Description | Line Head with Auto Flush 02205495 | Mid Line with Auto Flush 02205496 |
|----------|----------|--|------------------------------------|-----------------------------------|
| A1 | 02207010 | Pressure Regulator Line Head with Auto Flush | 1 | 0 |
| A2 | 02207011 | Pressure Regulator Mid Line with Auto Flush | 0 | 1 |
| 1 | 02205479 | S/S Connector | 1 | 2 |
| 2 | 02205035 | External Connector | 1 | 2 |
| 3 | 03013055 | 1/4 Turn Valve | 1 | 1 |
| 4 | 02209018 | S/S Nut | 3 | 6 |
| 5 | 02205721 | S/S Bolt | 3 | 6 |
| 6 | 02205436 | Pressure Indicator | 1 | 1 |



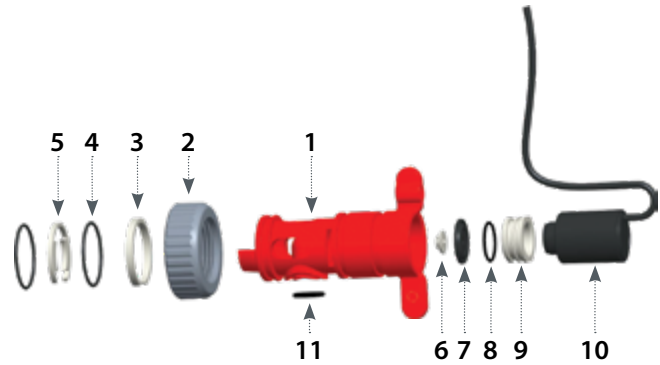
| Part No. | Cat. No. | Description | Line Head with Auto Flush 02205495 | Mid Line with Auto Flush 02205496 |
|----------|----------|--------------------------|------------------------------------|-----------------------------------|
| 1 | 02205887 | Top Shell | 1 | 0 |
| 1a | 02205888 | Top Shell (for Mid Line) | 0 | 1 |
| 2 | 02205702 | Bottom Shell | 1 | 1 |
| 3 | 02205720 | Screw | 9 | 9 |
| 4 | 02205703 | Knob | 1 | 1 |
| 5 | 02205704 | Nut | 1 | 1 |
| 6 | 02205713 | Spring | 1 | 1 |
| 7 | 16007006 | Hex Nut | 1 | 1 |
| 8 | 02205705 | Backing Plate | 1 | 1 |
| 9 | 02205715 | Large Diaphragm | 1 | 1 |
| 10 | 02205489 | Auto Flush Valve | 1 | 1 |
| 11 | 02205680 | Cap | 1 | 1 |
| 12 | 02205707 | Lower Spool | 1 | 1 |
| 13 | 02205717 | Seal | 1 | 1 |
| 14 | 02205706 | Upper Spool | 1 | 1 |
| 15 | 02205716 | Small Diaphragm | 1 | 1 |
| 16 | 02205708 | Washer | 1 | 1 |
| 17 | 02205714 | M6 Screw | 1 | 1 |
| 18 | 02205709 | Cap | 1 | 1 |





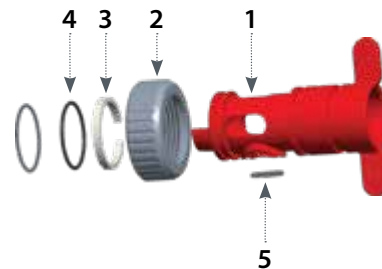
Auto Flushing Valve for Pressure Regulator MK2 - 02205489

| Part No. | Cat. No. | Description | QTY |
|----------|----------|--|-----|
| 1 | 02205892 | Auto Flush Valve Body | 1 |
| 2 | 02205899 | Flush Valve Nut | 1 |
| 3 | 02205898 | Split Ring for Auto Flush | 1 |
| 4 | 02205866 | Peripheral O-Ring | 2 |
| 5 | 02205895 | U Clamp Holder | 1 |
| 6 | 02205896 | Diaphragm Holder | 1 |
| 7 | 02205897 | Auto Flush Diaphragm | 1 |
| 8 | 02205478 | O-Ring Electric Holder | 1 |
| 9 | 02205894 | Electric Coil Holder | 1 |
| 10 | 02205477 | Electric Coil Holder for Auto Flushing | 1 |
| 11 | 02205719 | Inlet O-Ring | 1 |



Manual Flushing Valve for Pressure Regulator MK2 - 02205490

| Part No. | Cat. No. | Description | QTY |
|----------|----------|---------------------------|-----|
| 1 | 02205893 | Manual Valve Body | 1 |
| 2 | 02205899 | Flush Valve Nut | 1 |
| 3 | 02205898 | Split Ring for Auto Flush | 1 |
| 4 | 02205866 | Peripheral O-Ring | 2 |
| 5 | 02205719 | Inlet O-Ring | 1 |





Global Presence – Local Commitment

01/2018



Feeding



Drinking



Climate



Housing

Maagan Michael, D.N. Menashe, 3780500, Israel

Tel: +972-73-2413001, Fax: +972-73-2333711

info@plassonlivestock.com | www.plassonlivestock.com