



## Gas Space Heater SUPERCIKKI 80



Global Presence - Local Commitment



Feeding



Drinking



Climate



Housing

# Main features

- 100% thermal efficiency
- Working with NG or LPG
- Hot surface ignition and flame control by ionization
- High pressure radial fan for the air diffusion
- IP44 protection degree and weather-proof
- Easy accessibility and simple maintenance

## Technical Specification:

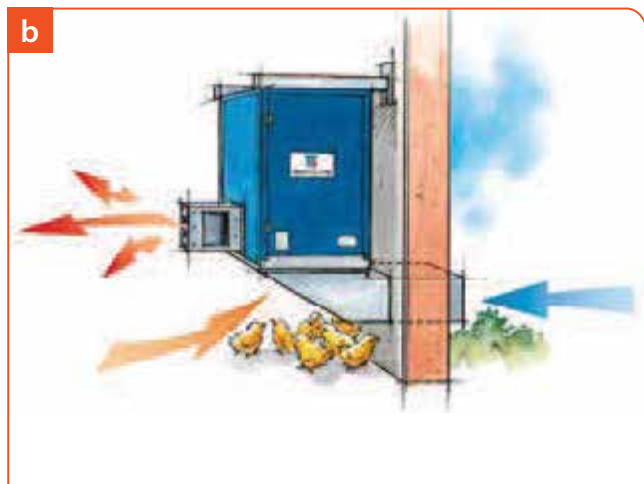
	Unit	SUPERICIKKI 80	
Heating capacity output	kW	80,0	
	Kcal/h	68.800	
Air flow rate (+15oC)	m <sup>3</sup> /h	2.000	
Temperature deviation	°K	135	
Air throw	m	30	
Monophase electric supply	L+N+E	230V - 50/60Hz	
Nominal thermal capacity	kW	80,0	
	kcal/h	68.800	
Air flow	m <sup>3</sup> /h	2.000	
Power of centrifugal fan motor	kW	0,184	
Centrifugal fan motor absorption	A	2,0	
Electrical protection rating	IP	44	
Net weight	kg	63	
Gas supply pressure	Natural gas G20	mbar	20
	Propane gas G31	mbar	37
	Butane gas G30	mbar	30
Gas consumption	Natural gas G20	m <sup>3</sup> /h	7,62
	Propane gas G31	m <sup>3</sup> /h	3,01
	Butane gas G30	m <sup>3</sup> /h	2,29



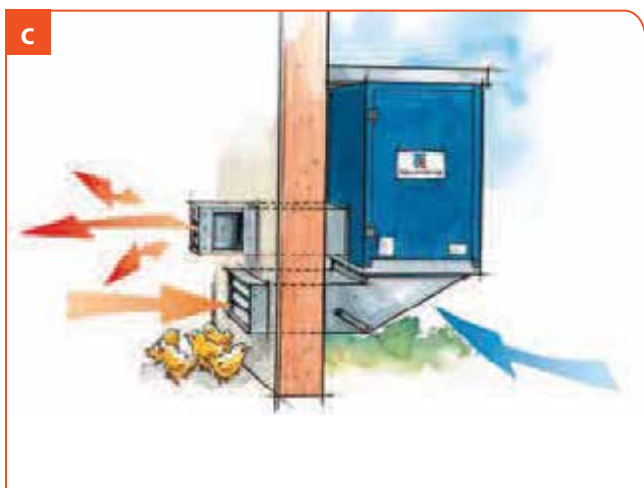
# Installation options



a. Indoor, intake air from inside



b. Indoor, mixed air intake



c. Outdoor, mixed air intake



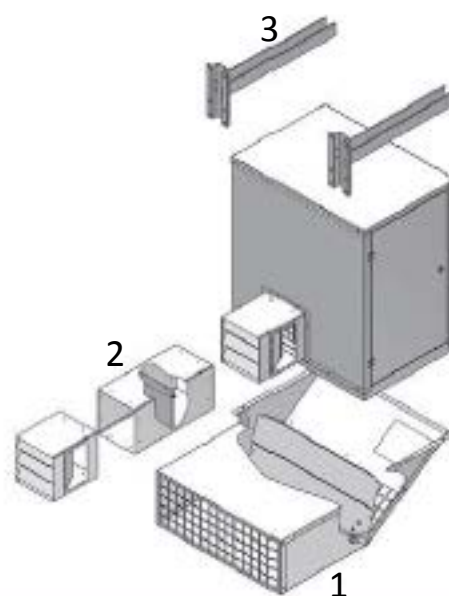
d. Outdoor, intake air from outside

## For Outdoor Installation

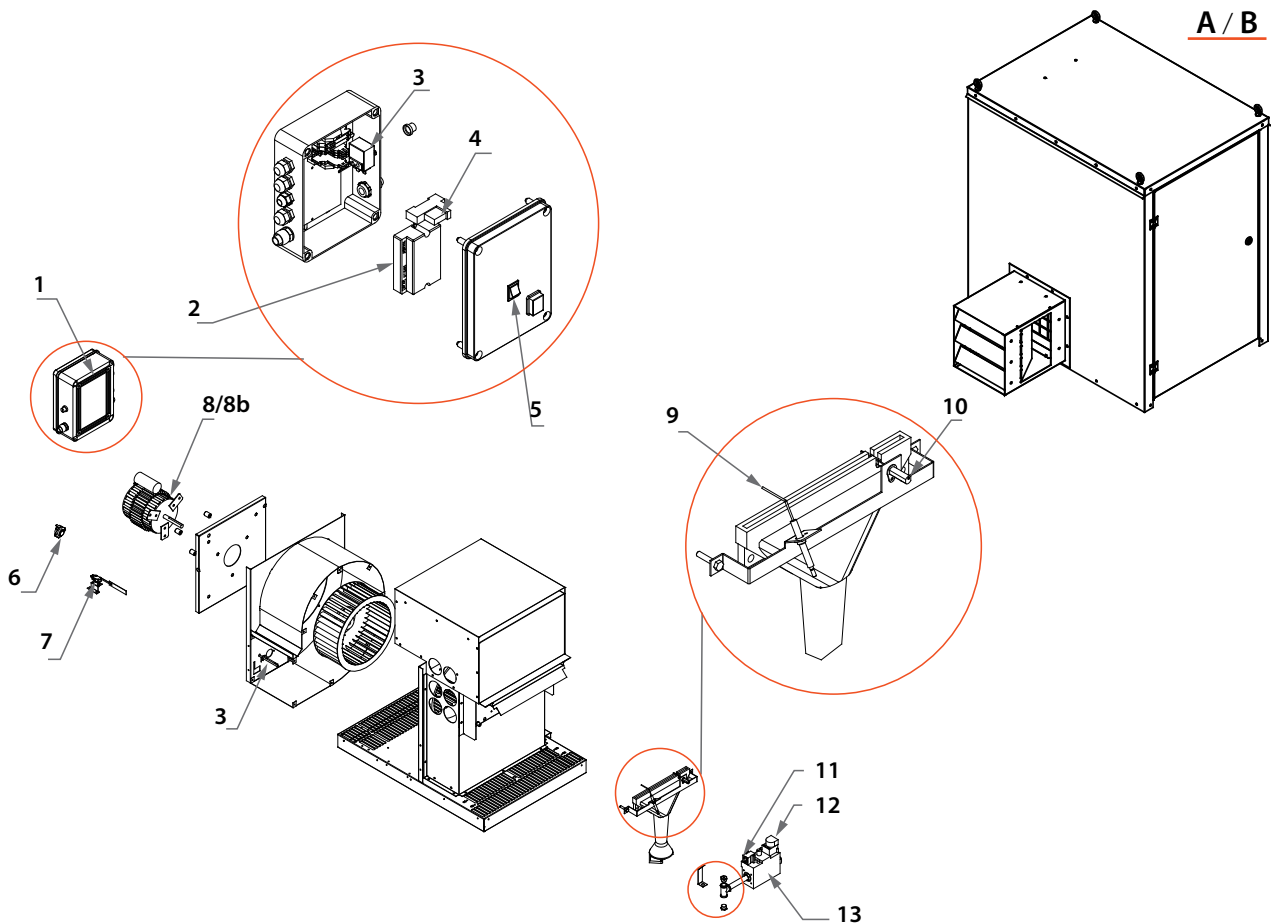
New #	Code	Components
1	02380081	SCK-80 Air recirculating unit w/ dumper
2	02380082	SCK-80 Output air duct W/ overpressure shutter
3	02380084	SCK-80 Outside installation kit

## For Indoor Installation

New #	Code	Components
	02384268	Hanging set for space heater



# Gas Space Heater 80kW 50/60Hz 220V LPG/NG Main Components



## Spare Parts List

New #	Code	Components
<b>A</b>	<b>02380088</b>	Space Heater SCK 80 KW 50Hz 220V LPG/NG Com
<b>B</b>	<b>02382228</b>	Space Heater SCK 80 KW 60Hz 220V LPG/NG Com
1	02380071	SCK -80 Electric box set (1911112)
2	02380078	SCK -80 Electronic control unit (1910812)
3	02380079	SCK-80 manual reset safety thermostat (1215054)
4	02380080	SCK -80 Fan motor power relay (1210235)
5	02380072	SCK -80 Red light button (1211035)
6	02380073	SCK-80 auto safety thermostat (1215144)
7	02380074	SCK -80 Flow switch set (1210095)
8	02380076	SCK -80 Fan motor 50 hz 220v set (1810077)
8b	02380077	SCK -80 Fan motor 60 hz 220v set (1810160)
9	02380069	SCK -80 Flame detection electrode (1210166)
10	02380070	SCK -80 Ignition electrode (1210169)
11	02380084	SCK -80 Ignition coil for g.Valve ev2 (1824026)
12	02380075	SCK -80 Ignition coil for g.Valve ev1 (1824060)
13	02380068	SCK -80 Gas solenoid valve (1824112)

## Gas Kit

Code	Components
02382230	SCK-80 Gas inlet set



\*Gas Regulator = 02384260



Feeding



Drinking



Climate



Housing

Maagan Michael, D.N. Menashe, 3780500, Israel

Tel: +972-73-2413001, Fax: +972-73-2333711

info@plassonlivestock.com | www.plassonlivestock.com