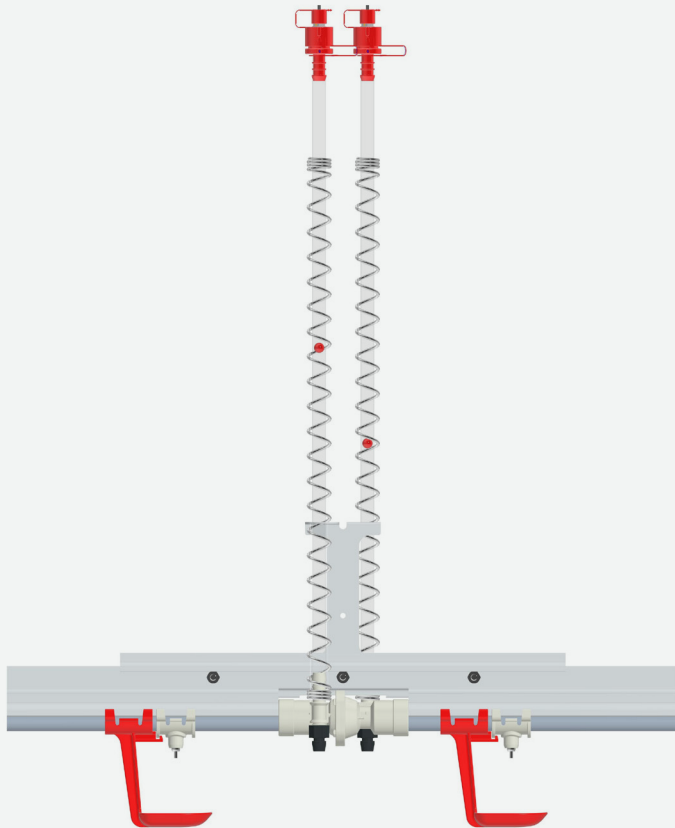




Slope Regulators

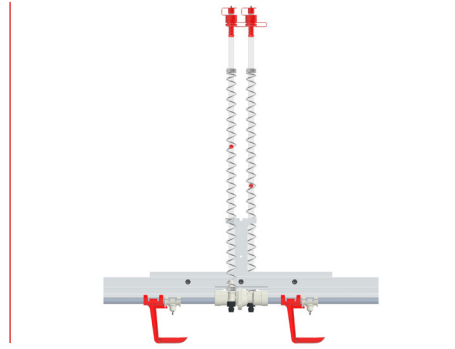


PLASSON slope regulators break the pressure build-up in nipple lines caused by sloped floors

Benefits

- Maintain the required pressure along the nipple line
- Robust design
- Innovative Bayonet connection for easy installation and maintenance
- No need for a by-pass during flushing
- Available for pressure breaks of 10cm, 15cm and 30cm

External Long Connector



02205408

Ex. Slope Regulator 10cm
+ 60cm Indicator
+ L. Connector + Stabilizer

No.	Cat No.	Item
1	02205433	External slope regulator 10 cm w/o pressure indicator
2	02205066	Long aluminum connector to external slope regulator
3	02205176	Pressure indicator stabilizer set
4	02204082	Pressure indicator double sealing 60 com (2 pcs)

02205676

Ex. Slope Regulator 15cm
+ 60cm Indicator
+ L. Connector + Stabilizer

No.	Cat No.	Item
1	02205668	External slope regulator 15 cm w/o pressure indicator
2	02205066	Long aluminum connector to external slope regulator
3	02205176	Pressure indicator stabilizer set
4	02204082	Pressure indicator double sealing 60 com (2 pcs)

02205669

Ex. Slope Regulator 30cm W/O Pressure Indicator



External Short Connector

02205407

Ex. Slope Regulator 10cm
+ 60cm Indicator
+ S. Connector

No.	Cat No.	Item
1	02205433	External slope regulator 10 cm w/o pressure indicator
2	02205067	Short aluminum connector to external slope regulator
3	02205176	Pressure indicator stabilizer set
4	02204082	Pressure indicator double sealing 60 com (2 pcs)

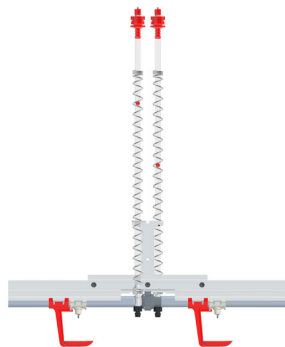
02205671

Ex. Slope Regulator 15cm
+ 60cm Indicator
+ S. Connector

No.	Cat No.	Item
1	02205668	External slope regulator 15 cm w/o pressure indicator
2	02205067	Short aluminum connector to external slope regulator
3	02205176	Pressure indicator stabilizer set
4	02204082	Pressure indicator double sealing 60 com (2 pcs)



Internal Short Connector



02205253

Slope Regulator 10cm
+ 60cm Indicator
+ S. Connector + Stabilizer

No.	Cat No.	Item
1	02205078	Slope regulator 10 cm w/o pressure indicator
2	02205067	Short aluminum connector to external slope regulator
3	02205176	Pressure indicator stabilizer set
4	02204082	Pressure indicator double sealing 60 com (2 pcs)

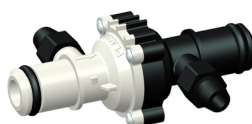
02205094

Slope Regulator 15cm
+ 60cm Indicator
+ S. Connector + Stabilizer

No.	Cat No.	Item
1	02205100	Slope regulator 15 cm w/o pressure indicator
2	02205067	Short aluminum connector to external slope regulator
3	02205176	Pressure indicator stabilizer set
4	02204082	Pressure indicator double sealing 60 com (2 pcs)

02205081

Slope Regulator 30cm W/O Pressure Indicator



Parts

02205067

Short Aluminum Connector
To External Slope Regulator



02205066

Long Aluminum Connector
To External Slope Regulator



02205176

Pressure Indicator Stabilizer Set



02204082

Pressure indicator double sealing
60 com (2 pcs)



02205077

T Kit For Slope Regulator



02205083

Spring For Slope Regulator (10 Cm)

02205103

Spring For Slope Regulator (15 Cm)

02205098

Spring For Slope Regulator (30 Cm)



02205108

O-Ring For Slope Regulator



02205105

Washer For Slope Regulator



02205121

Seal 15-3.8 For Internal
Slope Regulator



Air-Vent

02205430

External Air Vent For Nipple
Line W/O Pressure Indicator



02205069

Air Vent For Nipple Line
W/O Pressure Indicator



Slope Regulators



 **PLASSON**[®]
Livestock



Feeding



Drinking



Climate



Housing

Maagan Michael, D.N. Menashe, 3780500, Israel • Tel: +972-73-2413001 • Fax: +972-73-2333711 • info@plassonlivestock.com

www.plassonlivestock.com