

Galvanised Box Fan 36" 02382804

Technical data

Voltage	U	230/400	V
Phase		3	~
Frequency		50	Hz
Speed		915	RPM
Power consumption	Pe	620	W
Nominal current	I	2.3/1.4	A
Maximum current	I	2.6/1.5	A
Capacitor		-	µF
Ambient temperature	Tamb min/max	-25...40	°C
Insulation Class		CLF	
IP Class Fan		IP55	
Weight		44.2	kg
Packing dimensions		1100x190x150	mm

Fan details

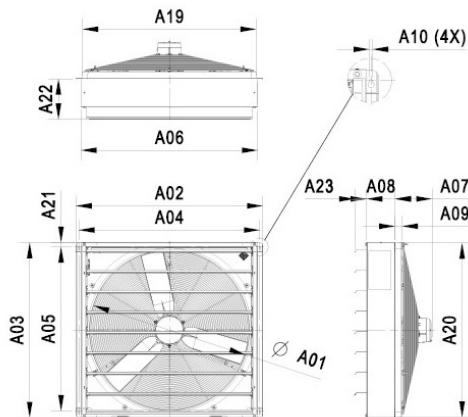
Impeller blades	3
Impeller type	8
Impeller system	G
Impeller material	PG

Control options

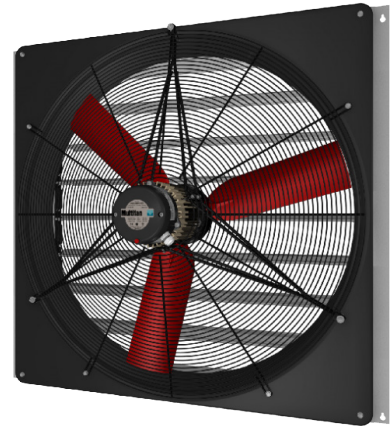
Triac controller	No
Transformer	No
Frequency drive	No
Intelligent Fan Drive	No

Dimensions

A01	915 mm
A02	1080 mm
A03	1014 mm
A04	1046 mm
A05	947 mm
A06	1022 mm
A07	214 mm
A08	165 mm
A09	40 mm
A10	7 mm
A19	1005 mm
A20	1005 mm
A21	25 mm
A22	234 mm
A23	72 mm



Exhaust Fans



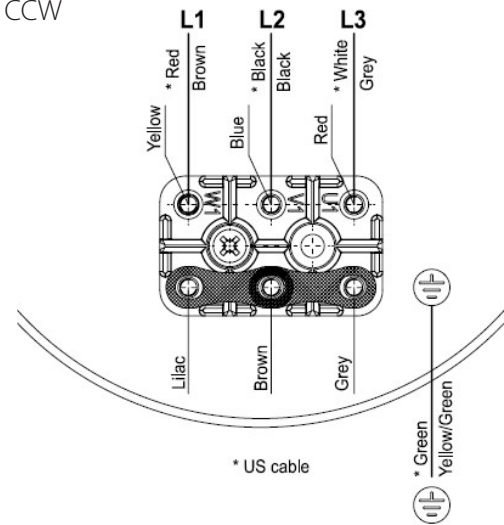
Approval(s)



No.16244

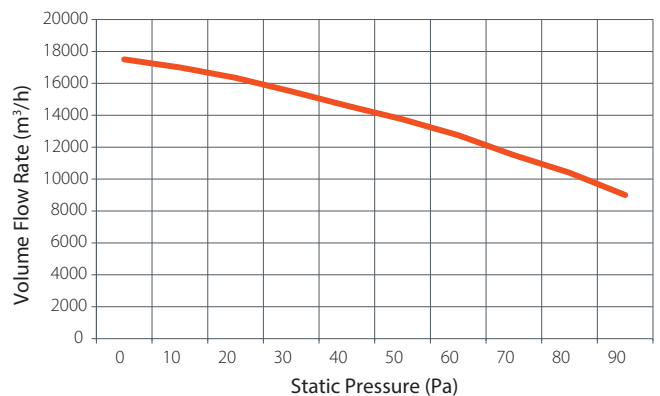
Wiring diagram - Fan

AB03 - CCW



Characteristics

0 Pa 17600 m³/h
50 Pa 13800 m³/h



Feeding



Drinking



Climate



Housing

Maagan Michael, D.N. Menashe, 3780500, Israel

Tel: +972-73-2413001, Fax: +972-73-2333711

info@plassonlivestock.com | www.plassonlivestock.com