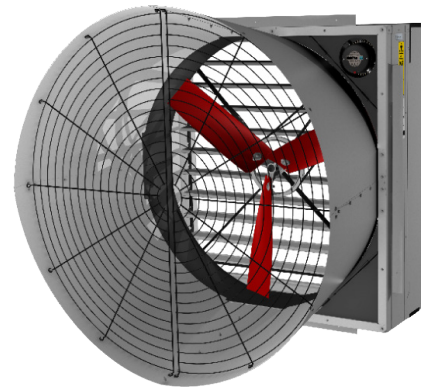


### Galvanised Cone Fan 50' 02382831



#### Technical data

Voltage	U	240/420	V
Phase		3	~
Frequency		60	Hz
Speed		570	RPM
Power consumption	Pe	1650	W
Nominal current	I	4.7/2.7	A
Maximum current	I	5.0/2.9	A
Capacitor	I	-	µF
Ambient temperature	Tamb min/max	-25...40	°C
Insulation Class		CLF	
IP Class Fan		IP55	
Weight		102.6	kg



#### Fan details

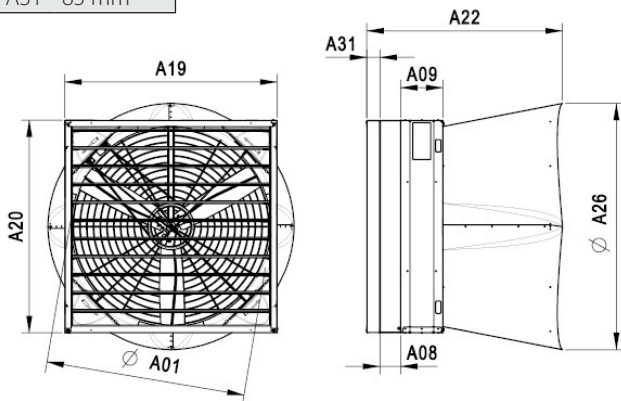
Impeller blades	3
Impeller type	10
Impeller system	N
Impeller material	PG

#### Control options

Triac controller	No
Transformer	No
Frequency drive	No
Intelligent Fan Drive	No

#### Dimensions

A01	1284 mm
A08	135 mm
A09	275 mm
A19	1382 mm
A20	1382 mm
A22	1275 mm
A26	1600 mm
A31	85 mm



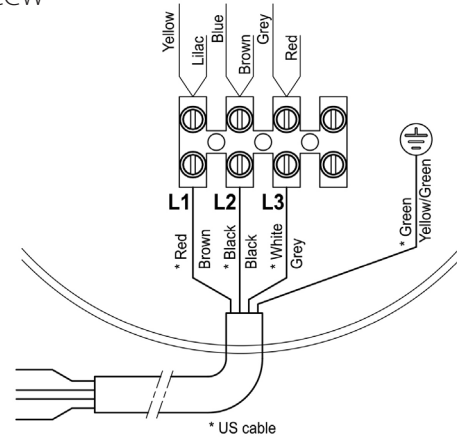
#### Approval(s)



No. 05088

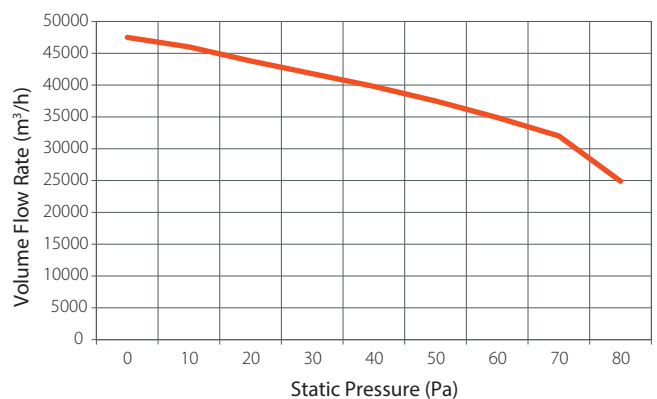
#### Wiring diagram - Fan

AF01 - CCW



#### Characteristics

0 Pa 47500 m³/h  
50 Pa 37400 m³/h



Feeding



Drinking



Climate



Housing

Maagan Michael, D.N. Menashe, 3780500, Israel

Tel: +972-73-2413001, Fax: +972-73-2333711

info@plassonlivestock.com | www.plassonlivestock.com