

Galvanised Cone Fan 54" 02382812



Technical data

| | | | |
|-----------------------------|--------------|----------|-------|
| Voltage | U | 230/400 | V |
| Phase | | 3 | ~ |
| Frequency | | 50 | Hz |
| Speed | | 535 | RPM |
| Power consumption | Pe | 1600 | W |
| Nominal current | I | 5.6/3.2 | A |
| Maximum current | I | 6.1/3.6 | A |
| Capacitor | I | - | µF |
| Ambient temperature | Tamb min/max | -25...40 | °C |
| Insulation Class | | CLF | |
| IP Class Fan | | IP55 | |
| Sound pressure level at 2 m | Lp | 77 | dB(A) |
| Weight | | 72.2 | kg |

Fan details

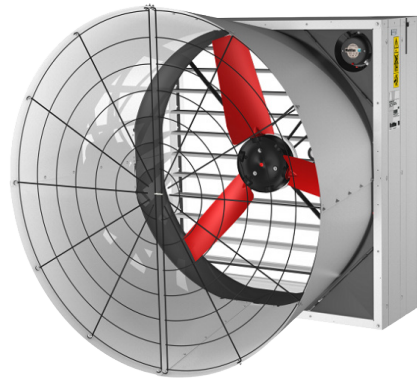
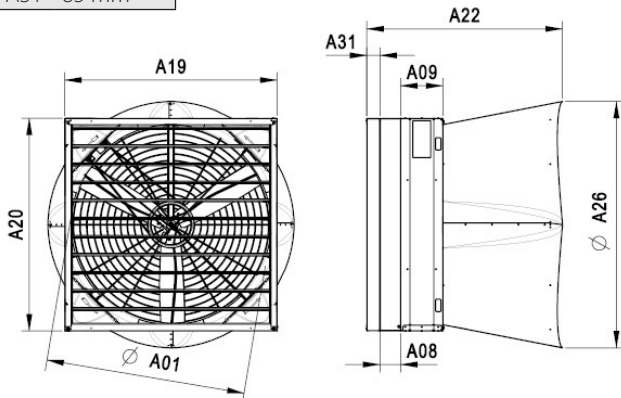
| | |
|-------------------|----|
| Impeller blades | 3 |
| Impeller type | 12 |
| Impeller system | B |
| Impeller material | PG |

Control options

| | |
|-----------------------|----|
| Triac controller | No |
| Transformer | No |
| Frequency drive | No |
| Intelligent Fan Drive | No |

Dimensions

| | |
|-----|---------|
| A01 | 1375 mm |
| A08 | 135 mm |
| A09 | 295 mm |
| A19 | 1480 mm |
| A20 | 1480 mm |
| A22 | 1356 mm |
| A26 | 1657 mm |
| A31 | 85 mm |



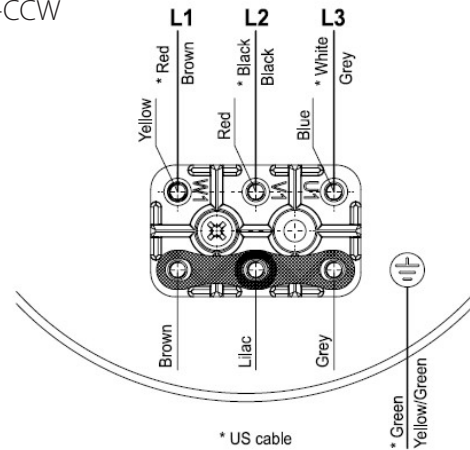
Approval(s)



No.15410

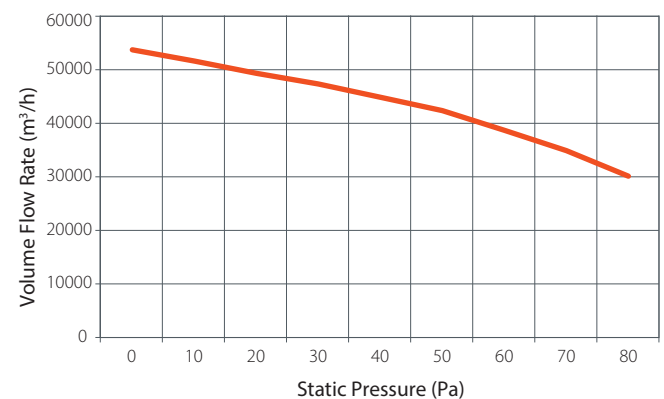
Wiring diagram - Fan

AB01-CCW



Characteristics

0 Pa 54000 m³/h
50 Pa 42600 m³/h



Feeding



Drinking



Climate



Housing

Maagan Michael, D.N. Menashe, 3780500, Israel

Tel: +972-73-2413001, Fax: +972-73-2333711

info@plassonlivestock.com | www.plassonlivestock.com