



T-Drop Feed Line Configuration Options



PLASSON'S unique wide-angled T-drops ensure ideal feed flow to the feed lines, and minimize the chances of feed blockage.

The special T-shaped design guarantees a feed line is completely full before feed proceeds to the next line, thus ensuring all feeding lines remain full.

Registered
International
Design No.
DM/228771

T-Drop 90 mm

T Drop D. 90 mm W/ Shutoff
W/ Spherical Joint
02311078



T Drop D. 90 mm W/ Shutoff
02311142



T Drop D. 90 mm W/ Spherical Joint
02311077



T Drop D. 90 mm
02311140



T-Drop 75 mm

T Drop D. 75 mm W/ Shutoff
W/ Spherical Joint
02311080



T Drop D. 75 mm W/ Shutoff
02311396



T Drop D. 75 mm W/ Spherical Joint
02311079



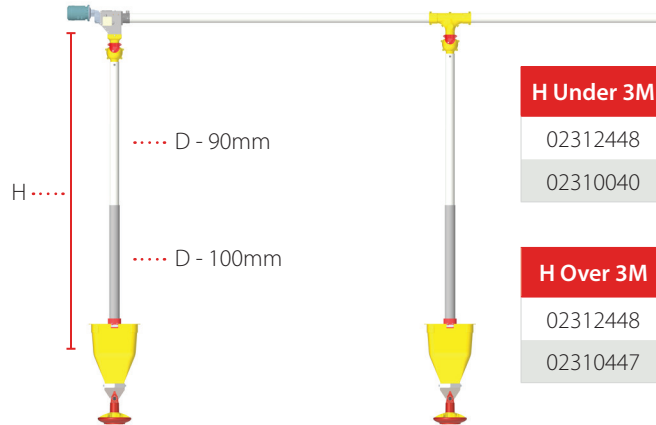
T Drop D. 75 mm
02311398



Spherical Joint for T Drop Kit 02311074



Telescopes



H Under 3M

02312448	PVC Pipe D - 90mm L - 2M
02310040	PVC Pipe D - 100mm L - 1M

H Over 3M

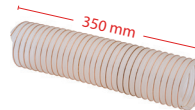
02312448	PVC Pipe D - 90mm L - 2M
02310447	PVC Pipe D - 100mm L - 2M

Additional & Spare Parts

Feed Drop Adaptor D. 90 mm
for Control Unit
02311075



Spiral PU Flex Pipe
D. 90 mm (3.5") x 350 mm
02312449



Clamp For Flex. Tube 4"
(D. 90 - 114 mm)
02310086



Proximity Sensor 30 mm
No/Nc for T-drop
02350208



Proximity Sensor 30 mm
No/Nc
02350207



Feeding



Drinking



Climate



Housing

Maagan Michael, D.N. Menashe, 3780500, Israel • Tel: +972-73-241300 • Fax: +972-73-2333711 • info@plassonlivestock.com

WWW.PLASSONLIVESTOCK.COM