

Metal Extension Kit for Plastic Hopper

Metal Extension Kit for Plastic Hopper developed to improve the operation and performance of the Feeder System

Recommended to be used for:

- When last line Hopper in layouts with more than 3 feeder lines
- When the distance between one Hopper to another is longer than 5 meters (~16.4 feet)
- 50-100 kg feed is needed (~110- 220 lbs)

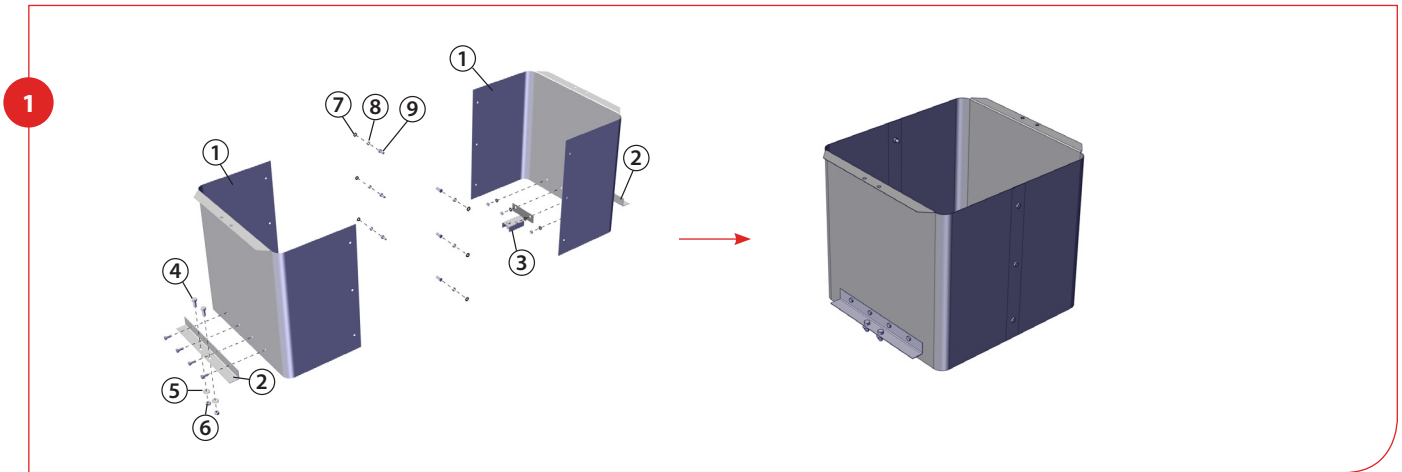
Main Features

- The Metal Extension Kit fits to Plasson Plastic Hopper (already installed)
- Does not influence the height of the Hopper micro Switch/Sensor kit

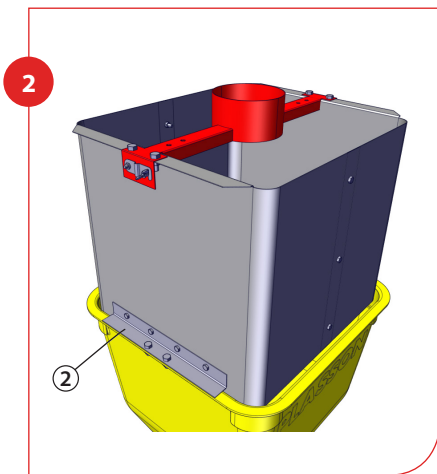
FEED HOPPER EXTENSION 50 KG SET (Catalog. no. 02313036) Components

#	Catalog no	ITEM	QTY
1	02313037	HOPPER GALV EXTENSION SIDEWALL (1 HALF)	2
2	02313039	HOPPER GALV EXTENSION SIDEWALL SUPPORT	2
3	02313038	HOPPER GALV EXTENSION MICROSWITCH SUPPORT	1
4	02310430	BOLT M8X16, HEX HEAD, ZINC COATED	10
5	02323069	DIN 985 M8 NUT	10
6	02323070	DIN 125 M8 WASHER	10
7	02320019	DIN 933 M6X20 SCREW HEX HEAD ZINC PLATED	14
8	02310459	WASHER 6MM	14
9	02323061	DIN 985 M6-A2 NUT	14

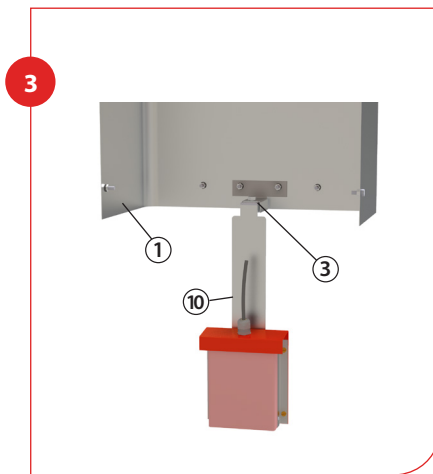
Installation



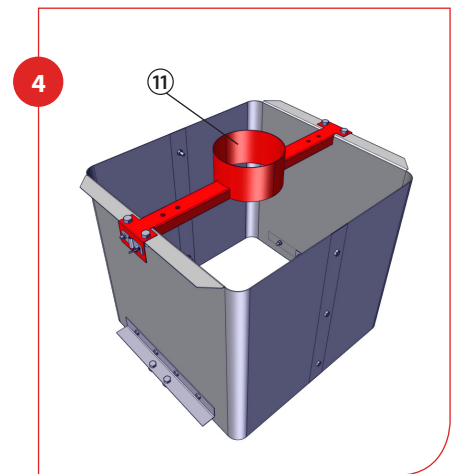
Assemble the metal extension (1) and the support (2), Figure 1



Fix the assembled extension (1) on the Hopper, Figure 2



Fix the micro switch support (3) and assemble the micro switch (10), Figure 3



Assemble the Upper Hopper Guide Support (11) on the extension, Figure 4.

Note:

For equipment already installed, use the existing Upper Hopper Guide Support and Plastic Hopper which are already in use

For more information, please contact Plasson Livestock by email: info@plassonlivestock.com

or visit our website: www.plassonlivestock.com