



Non Electrified Anti Perch



Non-Electrified Anti Perch System

PLASSON Non-Electrified Anti Perch System complies with the global welfare approach by preventing birds from perching on nipple lines without the use of electricity shock. The system presents a cost-effective solution which can be easily installed on new or existing nipple lines.

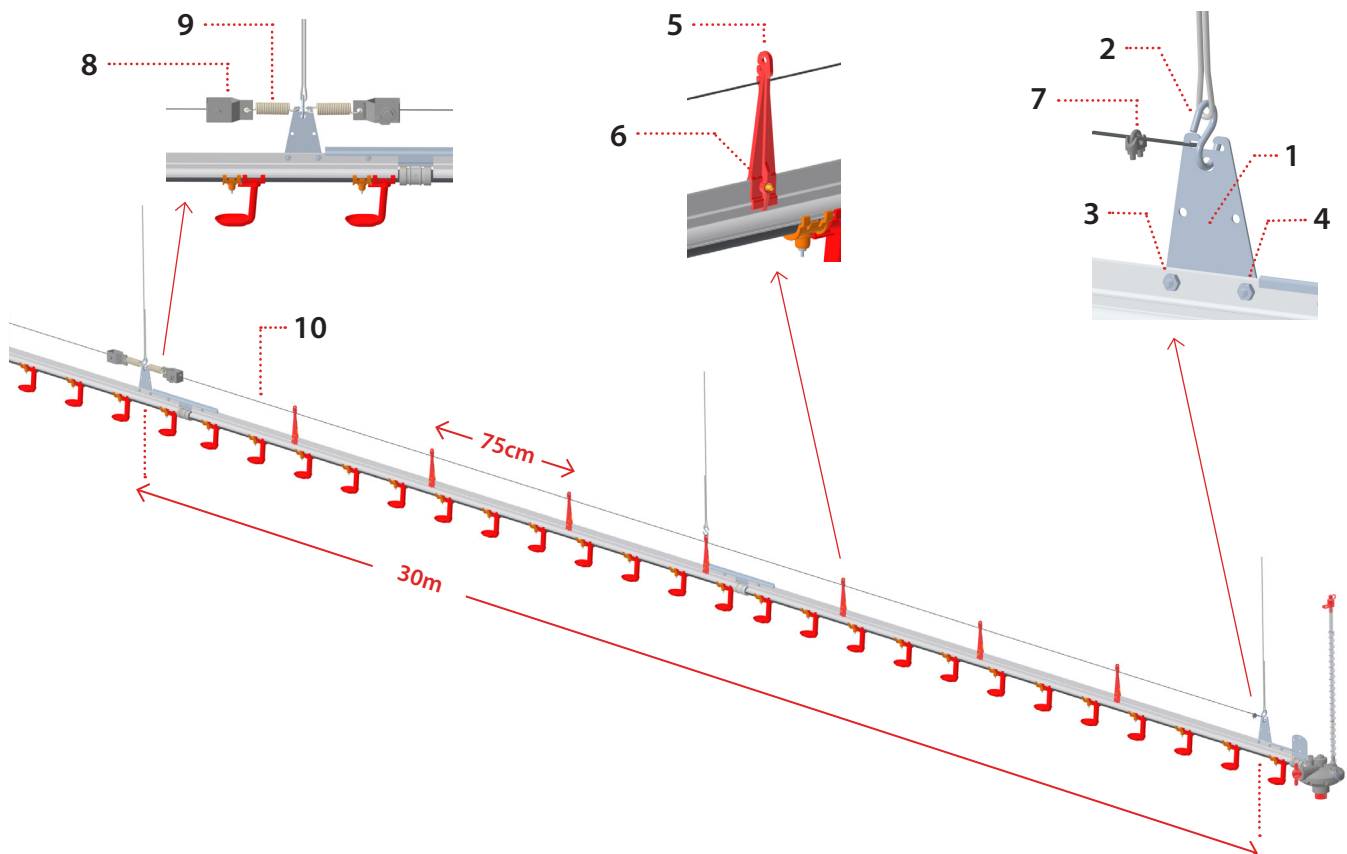
Non Electrified Anti Perch System Components

No.	Cat No.	Description	QTY (pcs)		
			02205855 Non-Electrified Anti-Perch 60m Kit	02205857 Non-Electrified Anti-Perch 30m add-on Kit	02204039 Non-Electrified Anti-Perch 30m Kit
1	02205858	Non-Electrified Anti-Perch Steel Suspension	3	1	2
2	02310022	S Hook 3/16"X2"(4.8X50)	3	1	2
3	02209017	S/S Bolt 1/4"X11mm	6	2	2
4	02209018	S/S Nut 1/4"	6	2	2
5	02209503	Anti-Perch Plastic Suspension Clip	80	40	40
6	02382466	Self-Drilling Screw 4.8X18 mm	80	40	40
7*	02320001	Cable Clamp 1/8"	2	1	1
8*	02310501	Anti-Perch Winch	2	1	1
9*	02310502	Anti-Perch Spring	2	1	1

* Items 7,8,9 supplied as a kit (Item code 02310500)

10**	02205611	Cable 1/16" (1.5mm)	Line length + 2m		
------	----------	---------------------	------------------	--	--

** Cable not included in the kit, to be ordered separately.

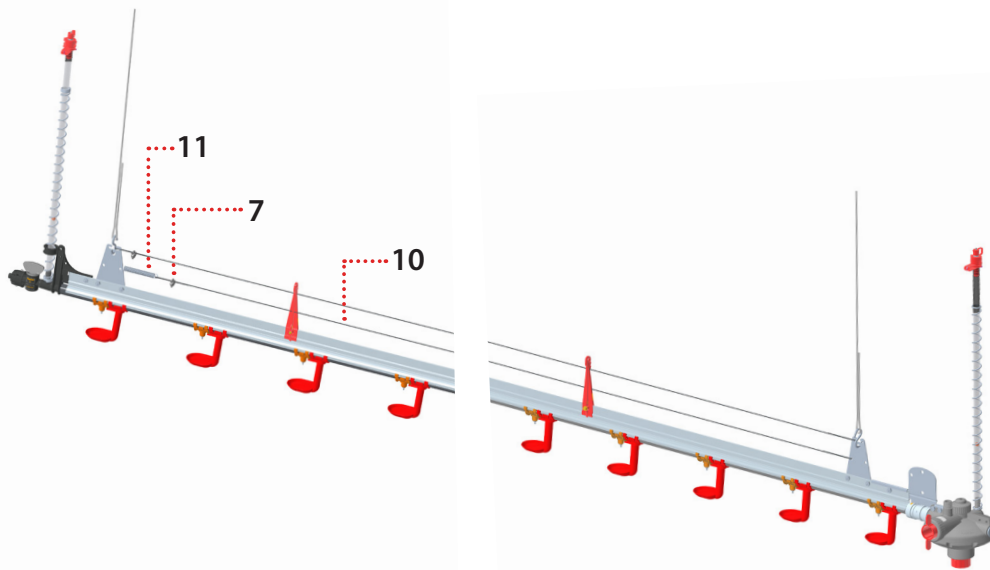


Optional

02205856 Non-Electrified Anti-Perch Lower Cable Kit

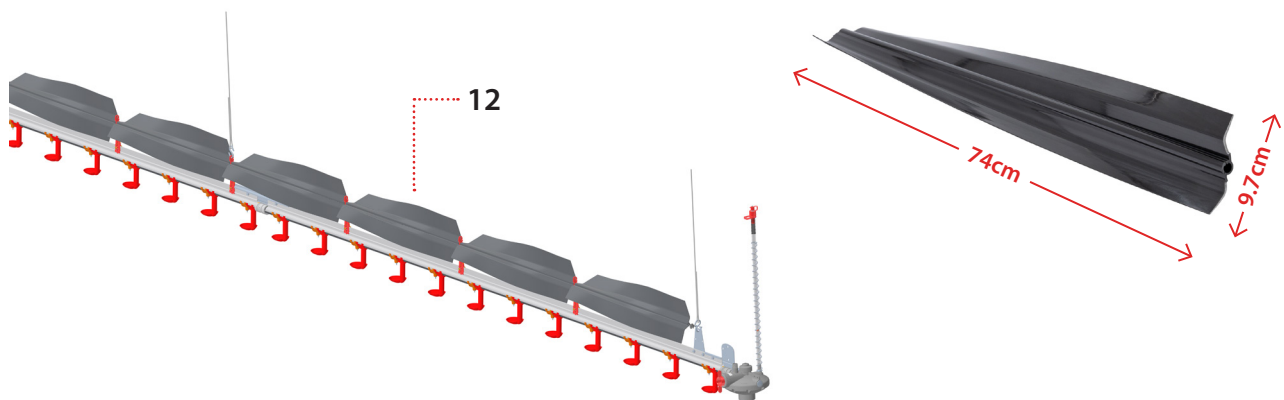
No.	Cat No.	Description	QTY (pcs)
7	02320001	Cable Clamp 1/8"	2
11	02205149	Lower Cable Anti-Perch Spring	1
10**	02205611	Cable 1/16" (1.5mm)	Line length + 2m

** Cable not included in the kit, to be ordered separately.



02313199 - Anti Perch Spinner

No.	Cat No.	Description	QTY (pcs)
12	02313199	Anti Perch Spinner	4 Pcs per 3m section

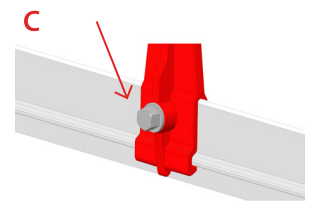
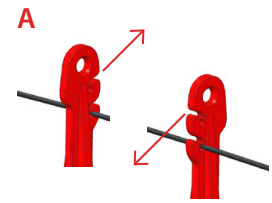


Installation instructions

Installation of the upper cable

- Connect the metal suspension plate (02205858) to the aluminum profile – as close as possible to the line head.
- Install 4 Red clips (02209503) per 3m section – Positioned with gaps of 75cm.
- Install every second suspension red clip facing in opposite direction – **A**.
- Install the 1.5mm Cable (02205611) to the Steel Plate (02205858) and secure it with the Cable Clamp (02320001).
- Connect the Anti-Perch Spring (02310502) and Anti-Perch Winch (02310501) to the second steel plate at the end of the kit (30m Max.).
- Install the 1.5mm Cable (02205611) to the Winch (02310501) and secure it with a Cable Clamp (02320001).
- Use the winch to apply tension until spring stretches to approximately 8.5cm long – **B**.
- Do not over tighten to prevent the line from twisting.
- Attach the cable (02205611) to each Red Clip along the entire line length.
- Secure each red clip with a self-drilling screw (02382466) – make sure gaps remain at 75cm – **C**.
- Do not use Impact Drivers when tightening the screws.

Please Note - For installation including Anti-Perch Spinners – secure the Self-drilling Screw (02382466) only **after** the Spinners are installed on the cable.



Installing the spinner on the cable



Installation of the lower cable

- In the Line head side - install the 1.5mm Cable (02205611) to the Steel Plate (02205858) lower hole and secure it with the Cable Clamp (02320001).
- Attach the Cable (02205611) to each Red Clip lower slot along the entire line length.
- Connect the lower cable Spring (02205149) to the Steel Plate (02205858) lower hole.
- Install the 1.5mm Cable (02205611) to the Spring and secure it with the Cable Clamp (02320001).



Feeding



Drinking



Climate



Housing

Maagan Michael, D.N. Menashe, 3780500, Israel • **Tel:** +972-73-241300 • **Fax:** +972-73-2333711 • info@plassonlivestock.com

WWW.PLASSONLIVESTOCK.COM