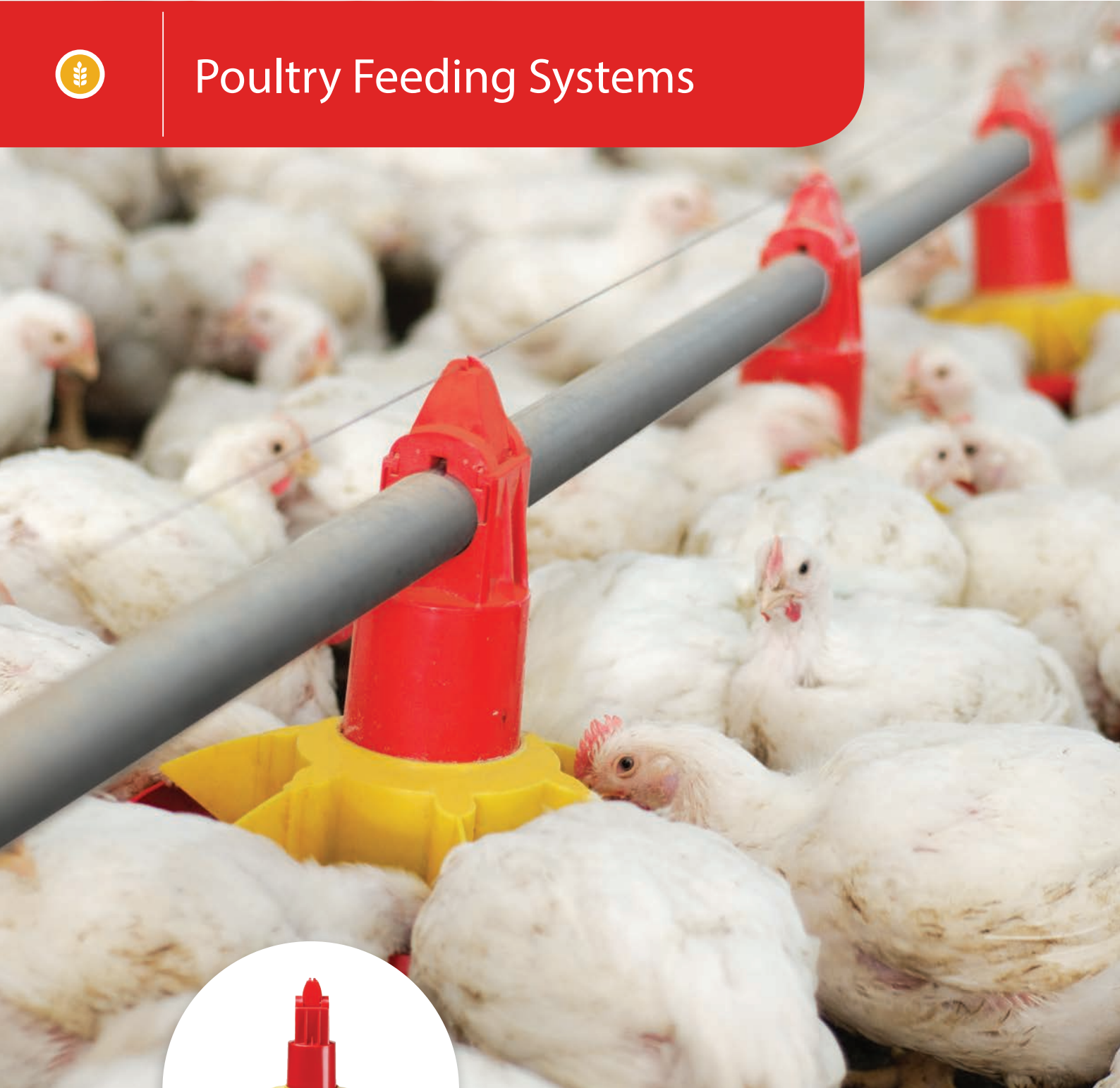




Poultry Feeding Systems



Broilers

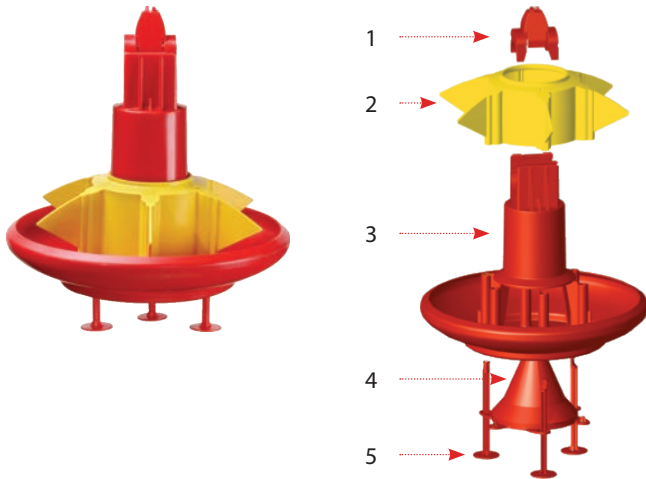
- Innovative design for better animal welfare
- PLASSON'S high quality feeders designed to last
- No Grill for easy access
- Excellent feed conversion
- Retaining lip minimizes feed waste
- Allows partial line usage



Auto Flood Feeder Pan

02310159

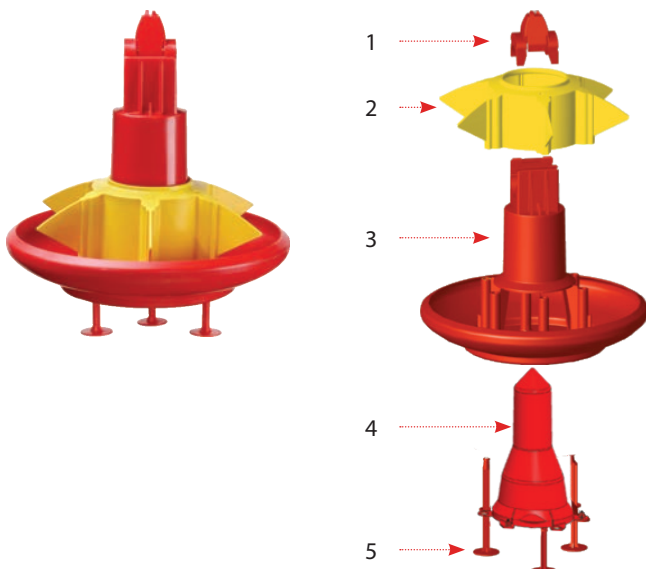
The patented self-adjusting feed level system of the Feeder Pan is very simple to operate, requiring no adjustment through grow-out.



No.	Cat No.	Item
1	02310180	Feeder Pan locker
2	02310108	Low regulator for Feeder Pan
3	02310153	Feeder Pan body
4	02310170	Cone
5	02310098	Pan pillar

Auto Flood Feeder Pan with High Cone

02310965

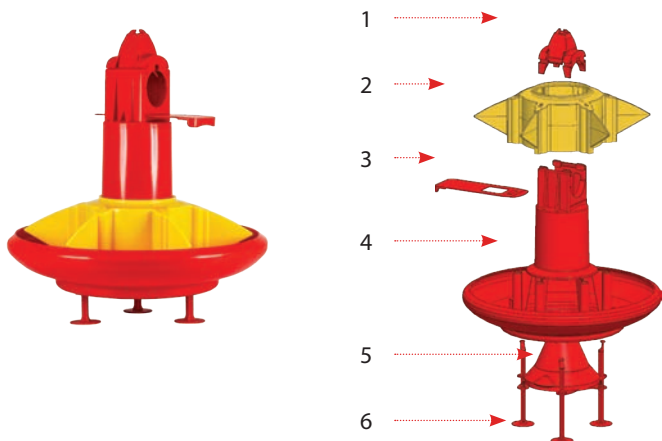


No.	Cat No.	Item
1	02310180	Feeder Pan locker
2	02310108	Low regulator for Feeder Pan
3	02310153	Feeder Pan body
4	02310765	High Cone
5	02310098	Pan pillar



Auto Flood Feeder Pan with Shutoff

02310160

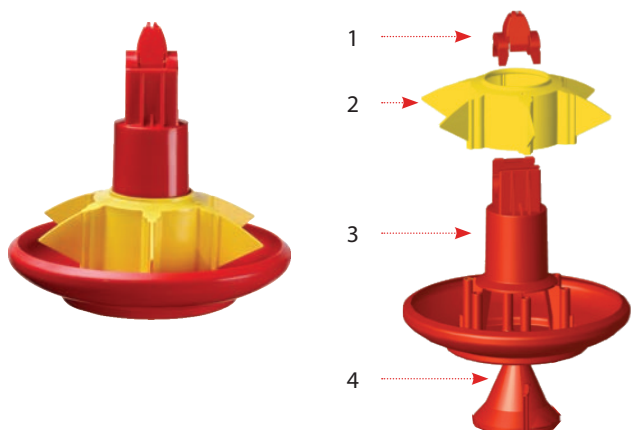


No.	Cat No.	Item
1	02310180	Feeder Pan locker
2	02310108	Low regulator for Feeder Pan
3	02310123	Shutoff plate for Feeder Pan
4	02310060	Feeder Pan body with groove
5	02310170	Cone
6	02310098	Pan Pillar

Manual Flood Feeder Pan

02310157

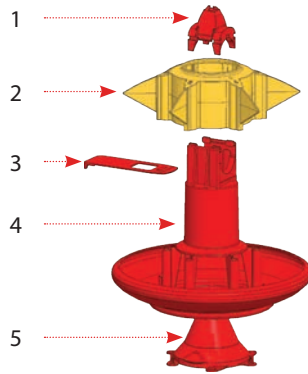
Manual regulation of the feed level is extremely simple by raising and slightly rotating the yellow regulator.



No.	Cat No.	Item
1	02310180	Feeder Pan locker
2	02310108	Low regulator for Feeder Pan
3	02310153	Feeder Pan body
4	02310170	Cone

Manual Flood Feeder Pan with Shutoff

02310158



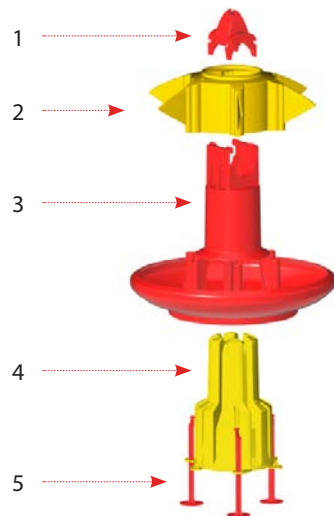
No.	Cat No.	Item
1	02310180	Feeder Pan locker
2	02310108	Low regulator for Feeder Pan
3	02310123	Shutoff plate for Feeder Pan
4	02310060	Feeder Pan body with groove
5	02310170	Cone

Pullets

- Easy access - No grill
- Fast and uniform feed distribution
- Strong and durable

Pullets Pan

02310743



No.	Cat No.	Item
1	02310180	Feeder pan locker (v1)
2	02310108	Low regulator for Feeder pan 1-6
3	02310153	Feeder pan body (v1)
4	02310884	Cone for Pullet pan
5	02310098	Pan Pillar

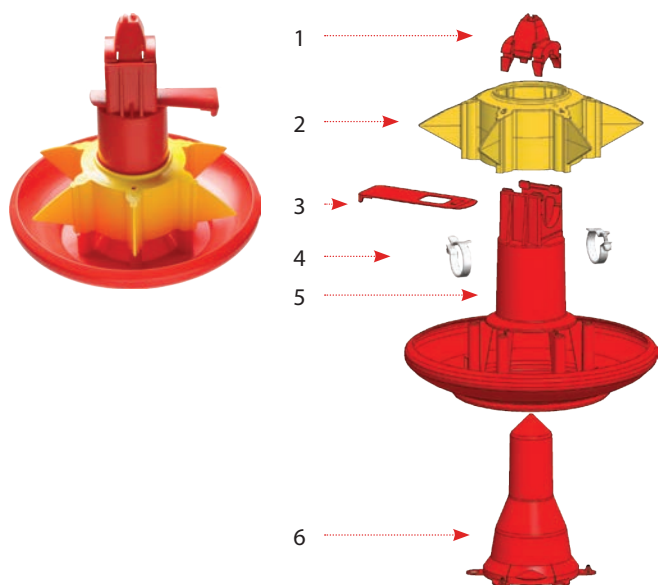


Breeders

- Robust male feeder with shut-off and high cone
- Female pan with adjustable windows

Male Feeder Pan with Shutoff

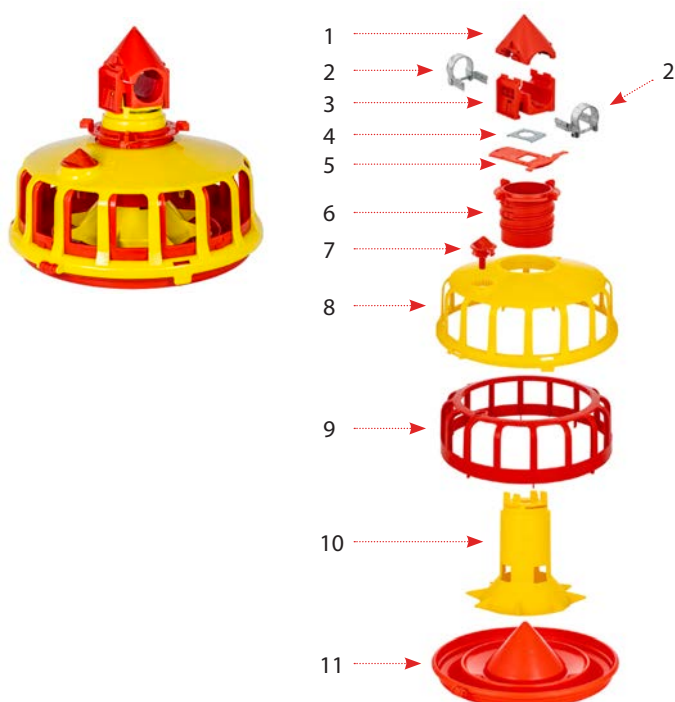
02312066



No.	Cat No.	Item
1	02310180	Feeder Pan locker
2	02310108	Low regulator for Feeder Pan
3	02310123	Shutoff plate for Feeder Pan
4	02310895	Feeder Pan anti rotation bracket
5	02310060	Feeder Pan body with groove
6	02310765	High cone

Female Feeder Pan

02311106



No.	Cat No.	Item
1	02311131	Breeder pan upper locking clip
2	02311186	Breeder pan p1 anti rotation bracket set
3+4	02311130	Breeder pan upper locking clip base
5	02311132	Breeder pan shut-off slide
6	02311133	Breeder pan adjusting collar
7	02311134	Breeder pan opening adjuster knob
8	02311189	Breeder pan outer grill
9	02311188	Breeder pan inner grill
10	02311129	Breeder Feeder Pan drop tube
11	02311187	Breeder pan bottom

Turkey Poults

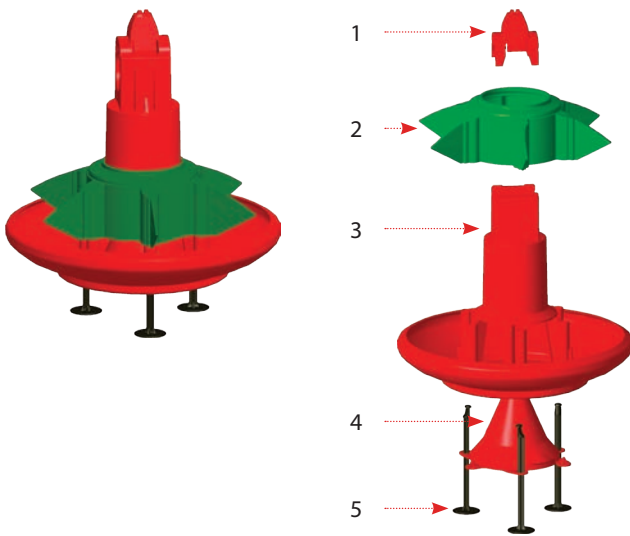
- High flooding - Stimulates growth
- No grill - No trapping
- Specially designed for Turkey Poults

The innovative design of the pan, without grill, allows the birds to easily reach the feed even during the first days, thus achieving better results.



Turkey Poults Feeder Pan with Green Regulator

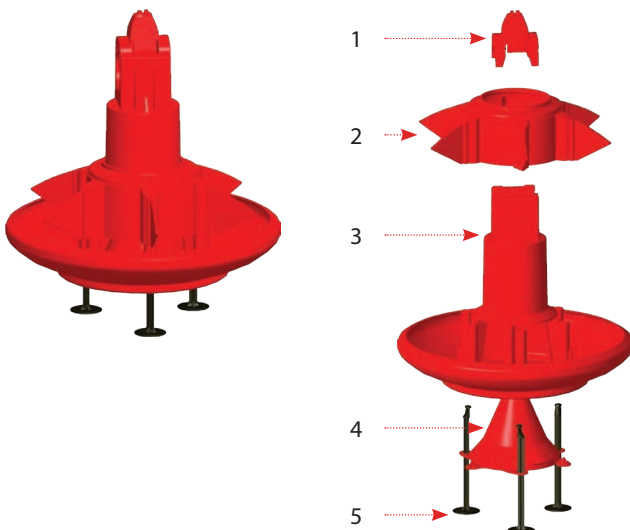
02310907



No.	Cat No.	Item
1	02310180	Feeder Pan locker
2	02310629	Turkey Poults Feeder Pan regulator (Green)
3	02310153	Feeder Pan body
4	02310170	Cone
5	02310083	Long black pillar

Turkey Poults Feeder Pan with Red Regulator

02310477



No.	Cat No.	Item
1	02310180	Feeder Pan locker
2	02310142	Turkey Poults Feeder Pan regulator (Red)
3	02310153	Feeder Pan body
4	02310170	Cone
5	02310083	Long black pillar



Adult Turkeys

- Easy movement under heightened lines
- Flexible drop reduces bruises
- Fits 44.5mm and 2" pipe systems



Multibeck Turkey Feeder Short Neck (AIAO) Com.

02310794



Multibeck Turkey Feeder Short Neck (LR) Com.

02310826



Cat No.	Item
02310828	Collar for multibeck feeders
02310114	Multibeck turkey feeder upper body
02310144	Multibeck turkey feeder lower body
02310228	Multibeck turkey feeder body threaded connector
02310253	Multibeck turkey feeder regulator
02310306	Multibeck turkey feeder short neck
02310438	Multibeck turkey feeder pipe locker
02311339	Multibeck turkey feeder locking clip
02310101	Feeder pan no slide bracket dia.45 Set

Optional:

02310798	Multibeck turkey feeder short neck for 2" pipe (AIAO) com.
02310796	Multibeck turkey feeder long neck (AIAO) com.

Cat No.	Item
02310828	Collar for multibeck feeders
02310114	Multibeck turkey feeder upper body
02310793	Multibeck turkey feeder bottom cone type 2
02310228	Multibeck turkey feeder body threaded connector
02310253	Multibeck turkey feeder regulator
02310306	Multibeck turkey feeder short neck
02310438	Multibeck turkey feeder pipe locker
02311339	Multibeck turkey feeder locking clip
02310101	Feeder pan no slide bracket dia.45 Set

Optional:

02310820	Multibeck turkey feeder short neck for 2" pipe com.
02310827	Multibeck turkey feeder long neck com.

Hoppers, Boots & Shafts

SS Feed Hopper Single
(Shaft 19 Ver.3) W/Switch
(Short)

02323002



SS Feed Hopper Single
(Shaft 19 Ver.3) W/Switch
(Last Line)

02323006

SS Feed Hopper Double
(Shaft 19 Ver.3) W/Switch
(short)

02323003



SS Feed Hopper Double
(Shaft 19 Ver.3) W/Switch
(Last Line)

02323007

SS Direct Drop Single
Boot

02318030



SS Direct Drop Double
Boot

02318031

Hopper Suspension Set
* Supplied with all
Hoppers

02310225



Feed hopper Extension
50 Kg

02313036



Plastic Hopper

02310200



Upper Hopper Guide
Support Set

02323044



Hopper Switch Kit - Short

02310535



Hopper Switch Kit - Last Line

02310536



Hopper Suspension Support
* 2 Pcs per support set

02310222



Stainless Steel Hopper
Boot Single

02310236



Stainless Steel Hopper
Boot Double

02310237



Hopper Boot Shaft Dia. 19
W/ Nylon Bearing House V2

02311576



Hopper Boot Shaft Bearing
House Half
* 2 Pcs per bearing house

02313028



Auger Latch Dia. 36/38mm

02310235



Spring Washer 6mm

02320018



Allen Head Bolt M6 X 15mm

02310742





Galv. Pipes & Augers

Galvanized Pipes

Diameter: 44.45mm
Wall Thickness: 1.2mm
Length: 3.05m



Cat No.	Item
02310932	Galvanized Pipe 2 Holes
02310933	Galvanized Pipe 3 Holes
02310934	Galvanized Pipe 4 Holes
02310935	Galvanized Pipe 6 Holes
02310936	Galvanized Pipe 8 Holes

Galv.pipe Clamp

02310008



Feeder Line Augers

Diameter: 35.8mm



Cat No.	Item
02310680050	Auger 50m
02310680060	Auger 60m
02310680070	Auger 70m
02310680080	Auger 80m
02310680091	Auger 91m
02310680102	Auger 102m
02310680111	Auger 111m
02310680122	Auger 122m
02310680131	Auger 131m
02310680141	Auger 141m
02310680150	Auger 150m
02310680165	Auger 165m
02310680172	Auger 172m
02310680180	Auger 180m

Anti Perching & Suspension

Anti-Perching

Anti-Perch 0-60m
Line Kit

02310500



Anti-Perch
Intermediate
Clamp Kit

02310510



Steel Cable 1/16"
(1.5mm) 1x7
(Per Meter)

02205611



Suspension

Electric Winch for Feeder Line
Lifting 220/380v 50hz

02312500



Manual Winch 3000 LBS

02310560



Winch 1500/3000 Support 11°
for IPE Beam

02312531



Winch 1500/3000 Support
Horizontal for IPE Beam

02312532



Handle for Winch 5ft

02205602



Winch Handle 8ft

02312002



Hanger for Round Feeder Pipe

02310195



Cable Height Adjuster

02310457



Cord Adjuster 2

02100010



Nylon Cord D. 5mm - 100m roll

02310024



Ceiling Hook Metal House Kit

02312006



Ceiling Hook Wooden House Kit

02310049



Ceiling Hook Concrete House Kit

02312005



Nylon Pulley 1-7/8"

02310359



End Line Pulley Suspension

02312569



Reduction System Kit

02310524



Cable Clamp 3/16"

02310023



Steel Cable 3/16" (5mm)

02320002



Steel Cable 3/32" (2.4mm)

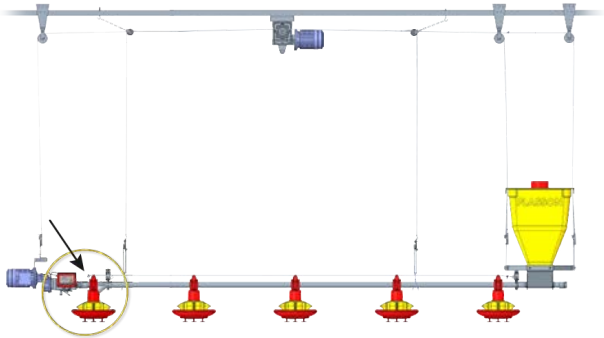
02320003



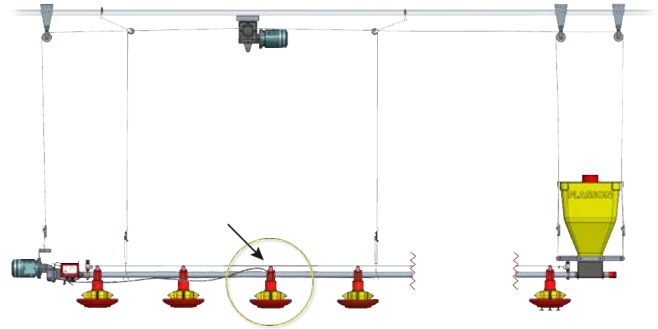


Control Pans

Long



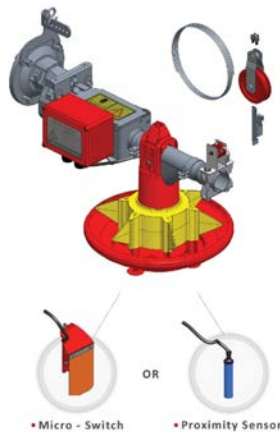
Short



Broilers Long

Control Pan for Broilers
W/Microswitch Long

- 02318026 - With Gear
- 02311046 - Without Gear



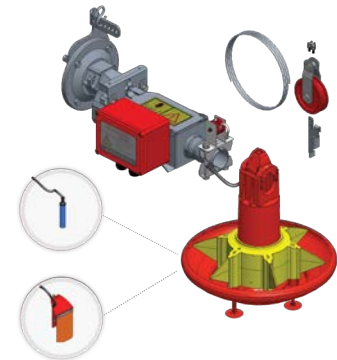
Control Pan for Broilers
W/Proximity Sensor Long

- 02318025 - With Gear
- 02311045 - Without Gear

Broilers Short

Control Pan for Broilers
W/Microswitch Short

- 02313025 - With Gear
- 02313026 - Without Gear



Control Pan for Broilers
W/Proximity Sensor Short

- 02311050 - With Gear
- 02312309 - Without Gear

Intermediate Control Pan

Intermediate Broiler Control
Pan W/Proximity Sensor

02311051

Intermediate Broiler Control
Pan W/Microswitch, 3m Cable

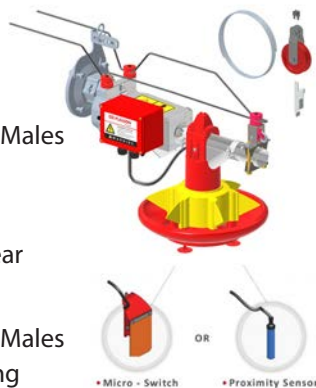
02311575



Males/Pullets Long

Control Pan for Pullets/ Males
W/Microswitch Long

- 02312322 - With Gear
- 02312323 - Without Gear



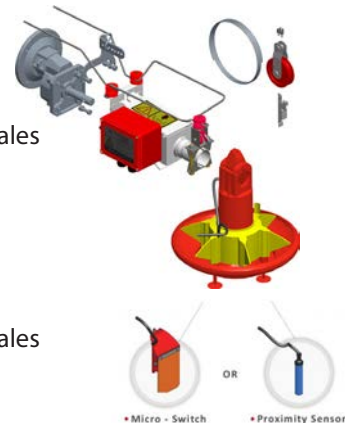
Control Pan for Pullets/ Males
W/Proximity Sensor Long

- 02312320 - With Gear
- 02312321 - Without Gear

Males/Pullets Short

Control Pan for Pullets/ Males
W/Microswitch Short

- 02312326 - With Gear
- 02312327 - Without Gear



Control Pan for Pullets/ Males
W/Proximity Sensor Short

- 02312324 - With Gear
- 02312325 - Without Gear

Control Pans

Breeders

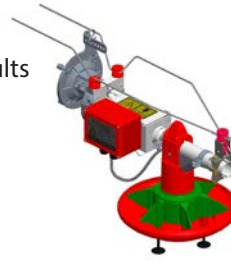
Control Pan for Breeder
W/Proximity Sensor

- [02312480](#) - With Gear
- [02312481](#) - Without Gear

Turkey Poults

Control Pan for Turkey Poults
W/Microswitch

- [02312442](#) - With Gear
- [02312481](#) - Without Gear



Control Pan for Turkey Poults
W/Proximity Sensor

- [02310955](#) - With Gear
- [02310876](#) - Without Gear

Adult Turkeys/Ducks

Control Unit D45 for Turkeys/Ducks

- [02311190](#) - With Gear
- [02311340](#) - Without Gear

Control Unit 2" for Turkeys/Ducks

- [02311217](#) - With Gear
- [02311335](#) - Without Gear

AIAO Turkeys/Ducks

Control Unit D45 for Turkeys/Ducks (AIAO)

- [02311218](#) - With Gear
- [02311336](#) - Without Gear

Control Unit 2" for Turkeys/Ducks (AIAO)

- [02311416](#) - With Gear
- [02311415](#) - Without Gear

parts

Auger Latch D.35.8 Set

[02313219](#)



DoI 26-05 Sensor
CA-P-Ø18-NF-CA-SCR-B-0T

[0288102915](#)



Pcp2 Safety Switch

[02318036](#)



Microswitch

[02310800](#)



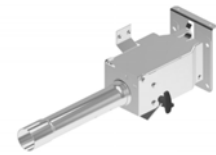
Microswitch 3m Cable

[02311574](#)



Pcp2 Connection Box,
Long Inlet

[02313027](#)



Pcp2 Connection Box,
Long Inlet

[02310918](#)



Pcp2 Connection Box,
Short Inlet

[02311054](#)



Pcp2 Connection Box,
Short Inlet

[02311058](#)





Motors & Gears

Motors

Motor 3Phase 220/380V
0.5HP 50hz

02310706



Motor 3Phase 220/380V
0.75HP 50hz

02310707



Motor 3Phase 220/380V
1.0HP 50/60hz 4 Poles

02310708



Motor 3Phase 220/380V
1.5HP 50/60hz 4 Poles

02382501



Gears

Gearbox 1:3.94 Square Flange

02310507



Gearbox 1:4.7 Square
Flange Frame Iec80

02310509



Accessories

Feeder Cone Dismantling Tool

02321039



Hopper Feeder Cover Ver 2

02310203



Feeder Pipe 45mm
Rotation Set (for 27m Max)

02318022



Control Pan Selector Switch Kit

02313194



Light for Control Pan (B2701375)

02318027



Cross Auger



Silo Boots

Item	Silo Boot Type
02310637	Silo Boot Single D. 90mm with Shaft (D. 46.3mm)
02312136	Silo Boot Single D. 90mm w/o Shaft
02310636	Silo Boot Double D. 90mm with Shaft (D. 46.3mm)
02312138	Silo Boot Double D. 90mm w/o Shaft

* Silo Boots 75mm - please enquire with PLASSON team.

Shaft Dia.46.3 (Silo Boot 90)

02310623



Plastic Boot for Silo

02310600



Double Plastic Boot for Silo

02322287



Control Units

C.u. D. 90 (Arbor Dia. 46.3)
W/Gear 1:3.94 Square

02310649



C.u. D. 90 (Arbor Dia. 46.3)
W/Gear lec80 1:3.94 Square

02311580

Arbor Shaft D.46.3mm
for D.90 C.U.

02311349



C.U. Feed Drop Adapter
75/90mm

02310415



C.U. Cover Safety Switch

02310475



Tubes

PVC Tube
Diameter: 3.5" (90mm)
Wall Thickness: 3.5mm
Length: 3m

02310074



PVC 45° Curve
Diameter: 3.5" (90mm)
Length: 3m

02310078



Cross Augers

Diameter: 70.5mm

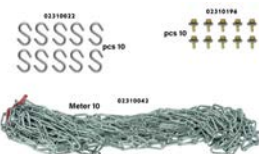


Cat No.	Item
02310681012	Auger 12m
02310681024	Auger 24m
02310681028	Auger 28m
02310681036	Auger 36m
02310681048	Auger 48m
02310681050	Auger 50m
02310681060	Auger 60m
02310681090	Auger 90m
02310681100	Auger 100m
02310681120	Auger 120m

Suspension

Cross Auger Suspension Kit
Metal House

02312008



Cross Auger Suspension Kit
Wood House

02312009



Cross Auger Suspension Kit
Concrete House

02312007





T - Drop

T - Drop 90 mm

T Feed Line W/ Shutoff
W/ Flex Pipe D. 90 mm Kit

02310730



T Feed Line W/ Shutoff
D. 90 mm Kit

02311142



T Feed Line W/ Flex Pipe
D. 90 mm Kit

02310523



T Feed Line D. 90 mm Kit

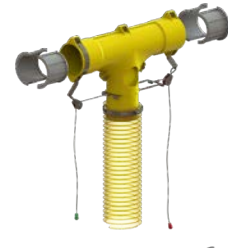
02311140



T - Drop 75 mm

T Feed Line W/ Shutoff
W/ Flex Pipe D. 75 mm Kit

02311395



T Feed Line W/ Shutoff
D. 75 mm Kit

02311396



T Feed Line W/ Flex Pipe
D. 75 mm Kit

02311397



T Feed Line D. 75 mm Kit

02311398



Telescopes



Under 3M

02312448

PVC Pipe D - 90mm L - 2M

02310040

PVC Pipe D - 100mm L - 1M

Over 3M

02312448

PVC Pipe D - 90mm L - 2M

02310447

PVC Pipe D - 100mm L - 2M

Control Unit Telescope

02311070

PVC Tube D - 110mm L - 1M

02310447

PVC Tube D - 100mm L - 2M

Control Unit Telescope Over 3M

02311069

PVC Tube D - 110mm L - 2M

02310447

PVC Tube D - 100mm L - 2M

Proximity Sensor 30mm
No\Nc for T-drop

02350208



Proximity Sensor 30mm
No\Nc Sw2 (Agro)

02350207



Poultry Feeding Systems



 **PLASSON**[®]
Livestock



Feeding



Drinking



Climate



Housing

Maagan Michael, D.N. Menashe, 3780500, Israel • Tel: +972-73-2413001 • Fax: +972-73-2333711 • info@plassonlivestock.com

www.plassonlivestock.com