



## UPR 550 (Universal Pressure Regulator)



### Features:

1. High water flow at any regulated output pressure
2. Wide output range
3. Stable pressure control at any pressure setting
4. Resistant to hammering
5. Durable and corrosion resistant plastic and elements
6. Easy pressure setting without tools
7. Maintenance free

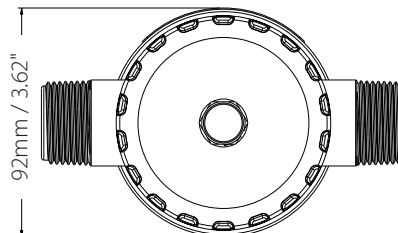
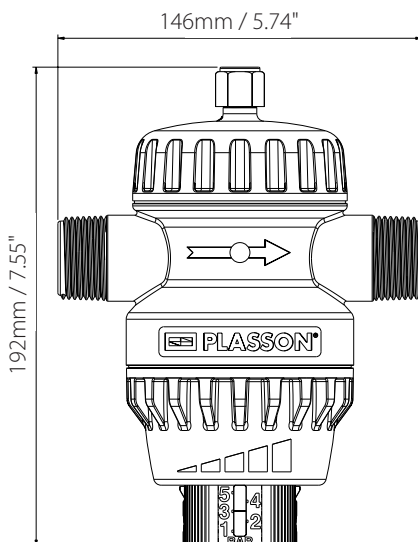
### General description:

- Plastic body: PP + glass fiber
- Plastic valve components: POM
- Metal parts in contact with water: Stainless Steel
- Diaphragm and seals: EPDM

### Technical data:

- Inlet and Outlet 1" BSPT or 1"NPT, can be reduced to 3/4" or 1/2"
- Inlet pressure up to 16 bar / 230 psi
- Adjustable outlet pressure 0.3 – 4 bar / 4.5 – 60 psi

### Dimensions:



## UPR 550 | Universal Pressure Regulator

### Installation Instructions

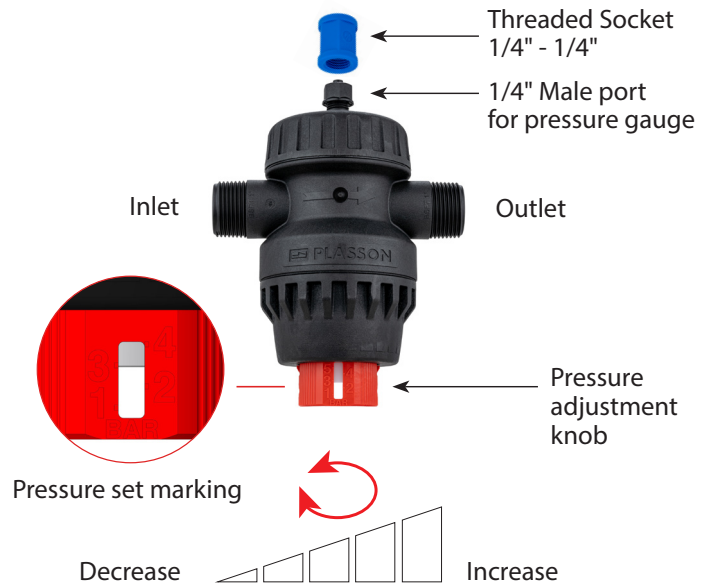
- Regulator has an arrow of flow direction, be sure to install accordingly
- Regulator can be installed both horizontally or vertically
- To install pressure gauge on top of the regulator, remove the 1/4" cap, use 1/4"-1/4" coupler
- Connect gauge with a male threaded connection

### Free flow rates at different inlet pressures

Inlet pressure		Open end flow rate	
bar	psi	m <sup>3</sup> /h	gal/min
0.5	7	2.6	11.1
1.0	15	3.5	15.4
1.5	22	4.2	18.5
2.0	29	4.8	21.1
2.5	37	5.4	23.7
3.0	44	5.8	25.5
3.5	51	6.2	27.2
4.0	58	6.6	29
5.0	73	7.2	31.6
6.0	87	8.0	35.2

### Parts List

	02206500 02205950 (*)	UPR 550 Universal Pressure Regulator 1" BSPT UPR 550N Universal Pressure Regulator 1" NPT
1	02205454	Bottom shell
2	02206038	UPR pressure indicator
3	02206102	UPR pressure indicator spring
4	02205703	Knob for pressure regulator
5	02205704	Nut for pressure regulator
6	02205459	Spring
7	16007006	SS A2 hex nut M6
8	02205457	Backing plate
9	02205460	Diaphragm
10	02205453	Top shell 1" BSPT
10a (*)	02205951	Top shell 1" NPT
11	02205462	Spool O-ring
12	02205458	Spool
13	02205891	Valve seal for UPR (EPDM)
14	02205456	Valve seat
15	02205714	M6 bolt for pressure regulator valve
16	02205461	Cap O-ring
17	02205455	Cap
18	02209413	Duckbill 5.8 MM for needle pressure gauge
19	02209028	Perforated cap 1/4"
20	02205150	Threaded Socket 1/4" - 1/4"



Optional gauges - not included	
02205756	Pressure Gauge 0-1.0 Bar W/ Glycerin
02205757	Pressure Gauge 0-4.0 Bar W/ Glycerin
02205758	Pressure Gauge 0-0.6 Bar W/ Glycerin
02205767	Pressure Gauge Bar/cm W/ Glycerin 2.5" for WOD

