

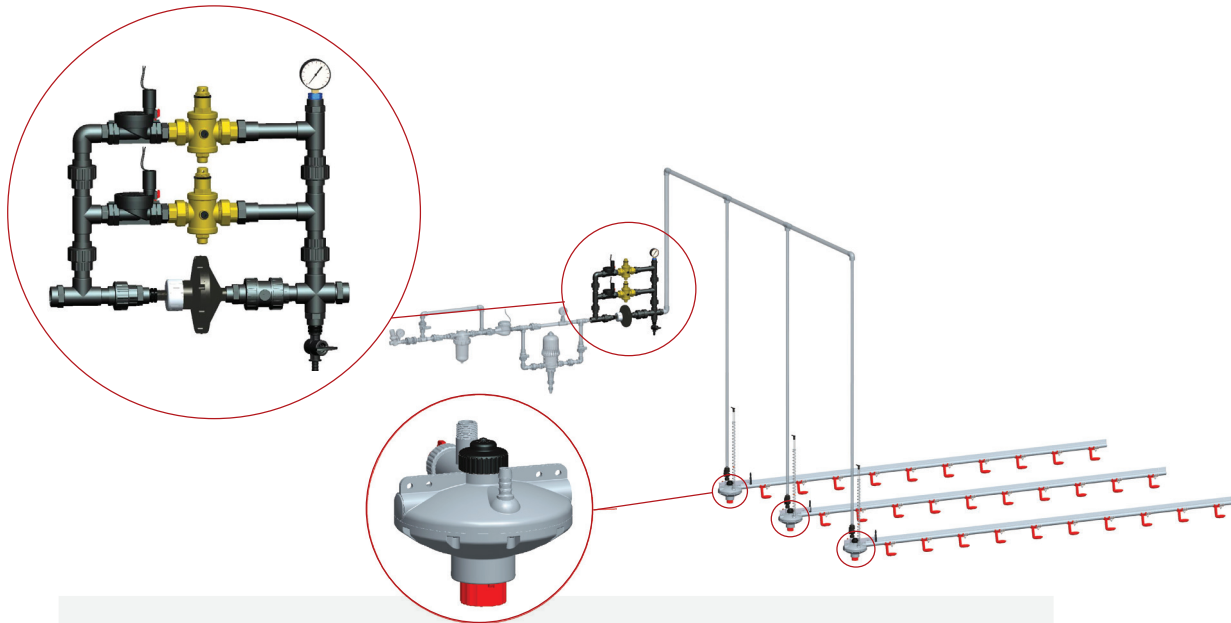


## Water on Demand

### Precise Day Round Water Consumption

PLASSON'S **Water on Demand** is an advanced water management tool. It allows you to easily control and manage the water pressure in all drinking lines according to bird's ongoing changing demands.

With **Water on Demand** you can adjust the different required pressures during a 24 hour cycle and along the grow-out.



#### Benefits

- Control and manage water pressure in all drinking lines from one central point.
- Save on labor costs.
- Maximize bird performance with optimal water supply.
- Boost water supply during peak hours.
- Reduce pressure during low consumption hours.
- Maintain dryer litter.
- Achieve uniform pressure in all drinking lines.
- Plan and program in advance water pressures for the entire grow-out.
- Easily retrofit existing PLASSON drinking systems.
- Easily installed and wired to a computerized controller.

## How does it work?

### PLASSON Water on Demand consists of 2 major components:

- A set of pressure regulators creating the central control point.
- PLASSON Pressure reducers installed on the drinking lines in the shed.

Water on Demand can be installed as a new system or as a retrofit on existing PLASSON drinking systems. The retrofit is done by changing only 3 parts in the shed pressure regulators which converts them to pressure reducers. After installation all drinking lines are controlled from the central control point. No need to enter the house and regulate each line head.

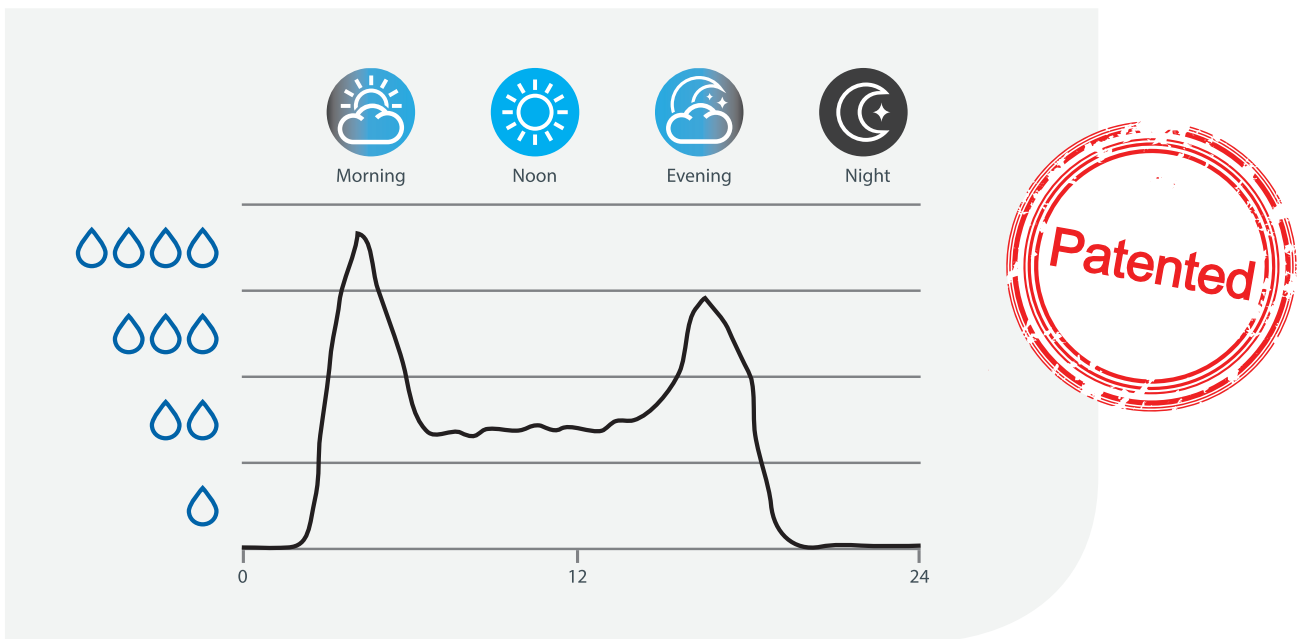
The set of regulators allows the supply of various pressures according to consumption changes during the day and due to increasing bird's weight and age.

## Control and manage your water

The demand for water inside the shed is ever changing. PLASSON Water on Demand is your tool to manage your bird's water consumption.

Different hours of the day call for different water pressure in the drinking lines. Boost the lines during peak hours and reduce pressure during low consumption hours.

With Water on Demand you guarantee the right water pressure is always supplied to your drinking lines.



Maagan Michael, D.N. Menashe, 3780500, Israel • Tel: +972-73-2413001 • Fax: +972-73-2333711 • info@plassonlivestock.com

[www.plassonlivestock.com](http://www.plassonlivestock.com)