



## T-Drop Feed Line Configuration Options



**PLASSON'S unique wide-angled T-drops ensure ideal feed flow to the feed lines, and minimize the chances of feed blockage.**

The special T-shaped design guarantees a feed line is completely full before feed proceeds to the next line, thus ensuring all feeding lines remain full.

Registered  
International  
Design No.  
DM/228771

### T-Drop 90 mm

T Drop D. 90 mm W/ Shutoff  
W/ Spherical Joint  
02311078



T Drop D. 90 mm W/ Shutoff  
02311142



T Drop D. 90 mm W/ Spherical Joint  
02311077



T Drop D. 90 mm  
02311140



### T-Drop 75 mm

T Drop D. 75 mm W/ Shutoff  
W/ Spherical Joint  
02311080



T Drop D. 75 mm W/ Shutoff  
02311396



T Drop D. 75 mm W/ Spherical Joint  
02311079



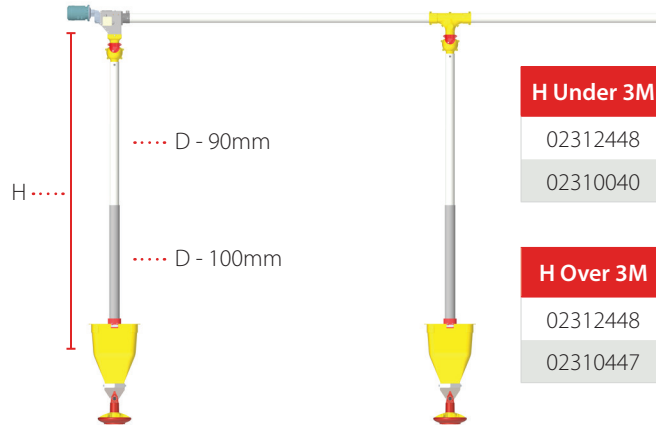
T Drop D. 75 mm  
02311398



### Spherical Joint for T Drop Kit 02311074



### Telescopes



#### H Under 3M

02312448	PVC Pipe D - 90mm L - 2M
02310040	PVC Pipe D - 100mm L - 1M

#### H Over 3M

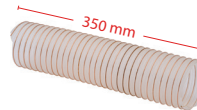
02312448	PVC Pipe D - 90mm L - 2M
02310447	PVC Pipe D - 100mm L - 2M

### Additional & Spare Parts

Feed Drop Adaptor D. 90 mm  
for Control Unit  
02311075



Spiral PU Flex Pipe  
D. 90 mm (3.5") x 350 mm  
02312449



Clamp For Flex. Tube 4"  
(D. 90 - 114 mm)  
02310086



Proximity Sensor 30 mm  
No/Nc for T-drop  
02350208



Proximity Sensor 30 mm  
No/Nc  
02350207



Feeding



Drinking



Climate



Housing

פרטים נוספים והזמנה: נדב - 052-219-7252 • אסף - 052-399-3827 • דני - 052-681-4672

[WWW.PLASSONLIVESTOCK.COM](http://WWW.PLASSONLIVESTOCK.COM)